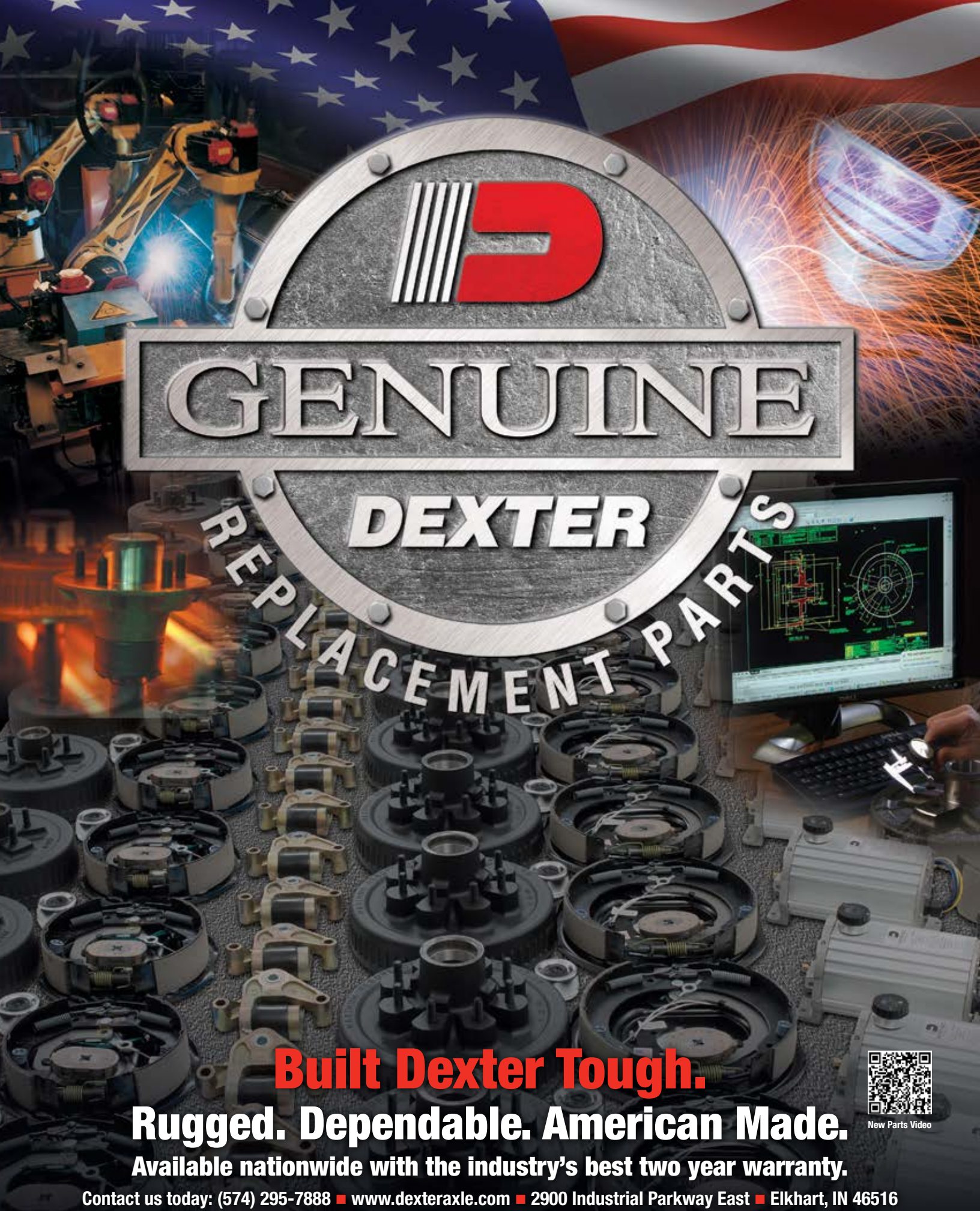




GENUINE

DEXTER

REPLACEMENT PARTS



Built Dexter Tough.

Rugged. Dependable. American Made.

Available nationwide with the industry's best two year warranty.



New Parts Video

Contact us today: (574) 295-7888 ■ www.dexteraxle.com ■ 2900 Industrial Parkway East ■ Elkhart, IN 46516

NEVER GREASE REPLACEMENT HUBS AGAIN!



***WHY DO THIS WHEN
YOU CAN BUY A
FULLY GREASED
REPLACEMENT HUB?***



FEATURES

- 100% Pre-greased Bearing and Hub Cavity***
- Pre-assembled Grease Seal and Bearings***
- Save Time, Labor, and Money***
- Easy To Install***

***FULLY
GREASED
HUB/DRUM
CAVITY***

HUBS & HUBS-DRUMS = TABLE OF CONTENTS

PreGreased Boxed Hub/Hub & Drum Kits

2,200 lb Capacity Hub Kit 5.5" Hub Diameter	C-3
3,500 lb Capacity Hub Kit 545 Complete	C-3
3,500 lb Capacity Hub Kit 550 Complete	C-3
3,500 lb Capacity Hub & Drum Kit 545 Complete	C-3
3,500 lb Capacity Hub & Drum Kit 550 Complete	C-3
5,200 lb Capacity Hub Kit Complete	C-3
5,200 -6,000 lb Capacity Hub & Drum Kit 655	C-3
5,200 -7,000 lb Capacity Hub & Drum Kit 865	C-3
GALVANIZED 2,000 lb Capacity Hub Kit 5.5"	C-3
GALVANIZED 3,500 lb Capacity Hub Kit 545	C-3
GALVANIZED 5,200 lb Capacity Hub Kit 655	C-3

Hub & Hub and Drum Components

BT8 1,100 lb Capacity Hub & Hub and Drum Kits	C-4
BT16 2,200 lb Capacity Hub & Hub and Drum Kits	C-6
#84 3,500 lb Capacity Hub & Hub and Drum Kits	C-8
#84 4,400 lb Capacity Hub and Drum Kits	C-11
#42 5,200 lb Capacity Hub & Hub and Drum Kits	C-12
#42 6,000 - 7,000 lb Capacity Hub & Hub and Drum Kits	C-14
#42 6,000 - 7,000 lb Capacity Nev-R-Lube® & UTG Kits	C-17
DX 7,200 lb Capacity Hub and Drum Kits	C-18
DX 8,000 lb Capacity Hub and Drum Kits	C-19
DX 8,000 lb Capacity Nev-R-Lube® Kits	C-21
DX 9,000 - 10,000 lb Capacity Hub and Drum Kits	C-22
DX-ALKO #99 Spindle 10,000 lb Capacity General Duty Hub-Drum	C-24
DX-ALKO #120 Spindle 10,000 lb - 12,000 lb Heavy Duty Hub-Drum	C-25
DX 10,000 lb Capacity Heavy Duty Hub and Drum Kits	C-30
DX 12,000 lb Capacity Heavy Duty Hub and Drum Kits	C-30
DX 15,000 lb Capacity Heavy Duty Hub and Drum Kits	C-30

DX 10,000 lb - 12,000 lb Capacity Heavy Duty Hub and Rotor Kits	C-31
DX 22,500 lb - 27,500 lb Capacity 8-Bolt Hub Piloted with Outboard Drum 12" Brake	C-33
DX 22,500 lb - 27,500 lb Capacity 10-Bolt Hub with Inboard Drum 12" Brakes	C-34
DX 22,500 lb - 27,500 lb Capacity 10-Bolt Hub with Inboard Drum 16" Brakes	C-35
DX 22,500 lb - 27,500 lb Capacity 10-Bolt Hub with Outboard Drum 16" Brakes	C-36
DX 22,500 lb - 27,500 lb Capacity 10-Bolt Hub Piloted with Outboard Drum 16" Brakes	C-37
Agricultural Hub, Hub and Drum Kits	C-39

Axle, Brake, Hub, & Hub and Drum Components

Axle Spring Seats, Torflex® Side Mounting Kits & Spindle Sleeves	C-41
Spindle Kits (Square Shaft, Round Shaft, Agricultural & Torsion Removable)	C-42
Spindles Hardware	C-43
Retail Ready Parts	C-44
Seals	C-46
Wheel Studs	C-47
Wheel Bolts and Nuts	C-48
Heavy Duty Wheel Accessories (Studs, Nuts, Wheel Rings & Clamps)	C-49
Bearing Kits	C-50
Bearing - Race	C-51
Bearing Protectors & Grease / EZ-Lube® Caps	C-52
Oil Bath Cap Kits	C-53
Brake Flange & Brake Mounting Hardware	C-54

All Diagrams, Charts, Illustrations and Images are for representation only.

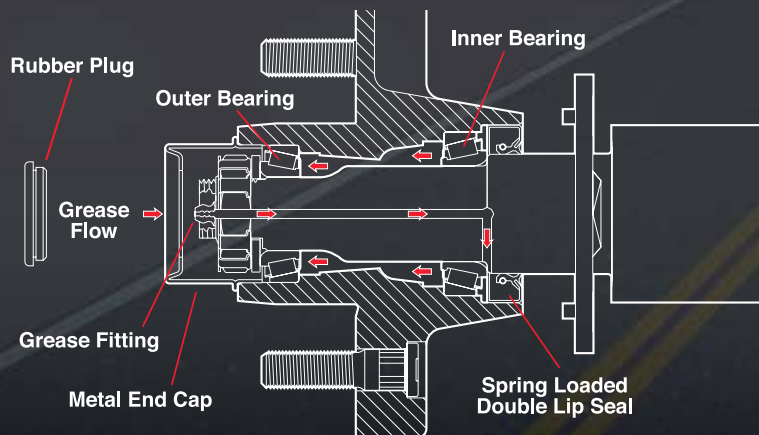


BEARING LUBRICATION MADE QUICK & EASY

- A trailer running gear lubrication system that's simple to maintain and completely submersible
- Allows grease to easily flow to both the inner and outer bearings for a complete repack
- No disassembly required, just attach a grease gun at the spindle end and inject the grease
- E-Z Lube® cap allows for easy access, extra protection, and virtually no mess
- Easily purges contaminated grease without removing the hub
- Ideal for most towable axles including boat trailer applications
- Two-year limited product warranty



E-Z LUBE®
BEARING LUBRICATION SYSTEM



WHAT IS E-Z LUBE®?

The E-Z Lube® system consists of axle spindles that have been specially drilled and assembled with grease fittings. When grease is pumped into the fitting, it is channeled to the inner bearing, then to the outer bearing, and eventually back out the grease cap hole for a complete bearing repack. The protection and maintenance features of the E-Z Lube® system make it ideal for most towable axles. E-Z Lube® is designed to allow for immersion in water.

E-Z Lube® is subject to the maintenance and inspection procedures as specified in Dexter Axle's current publication, "Operation Maintenance Service Manual".



GEARED FOR INNOVATION SINCE 1960

View
E-Z Lube®
video



NEVER GREASE REPLACEMENT HUBS AGAIN!



WHY DO THIS WHEN YOU CAN BUY A FULLY GREASED REPLACEMENT HUB?

Kit Includes:



FULLY GREASED & READY TO ROLL



GALVANIZED UNITS AVAILABLE

Available Kits

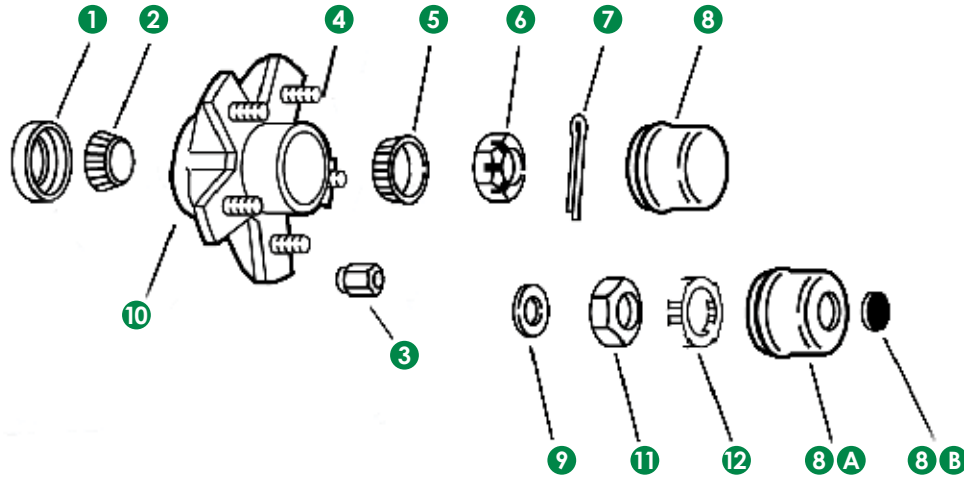
Bearings

7650071-03B	2K Hub Kit 5 on 4.50" Bolt Pattern 5.5" hub flange diameter	Uses L44649 Inner & Outer
7650073-03B	3.5K Hub Kit 5 on 4.50" bolt pattern	Uses L68149 Inner & L44649 Outer
7650077-03B	3.5K Hub Kit 5 on 5" bolt pattern	Uses L68149 Inner & L44649 Outer
7650030-03B	3.5K Hub & Drum Kit 5 on 4.50" bolt pattern	Uses L68149 Inner & L44649 Outer
7650034-03B	3.5K Hub & Drum Kit 5 on 5" bolt pattern	Uses L68149 Inner & L44649 Outer
7650085-03B	5.2K Hub Kit 6 on 5.50" bolt pattern	Uses 25580 Inner & 15123 Outer
7650041-03B	5.2K-6K Hub & Drum Kit 6 on 5.50" bolt pattern	Uses 25580 Inner & 15123 Outer
7650045-03B	5.2K-7K Hub & Drum Kit 8 on 6.50" bolt pattern 1/2"-20 studs.	Uses 25580 Inner & 14125A Outer
7650050-03B	5.2K-7K Hub & Drum Kit 8 on 6.50" bolt pattern 9/16"-18 studs	Uses 25580 Inner & 14125A Outer

Available For Marine Use

7650071-GV3B	Galvanized 2K Hub Kit 5 on 4.50" bolt pattern 5.5" hub flange diameter.	Uses L44649 Inner & Outer
7650073-GV3B	Galvanized 3.5K Hub Kit 5 on 4.50" bolt pattern	Uses L68149 Inner & L44649 Outer
7650085-GV3B	Galvanized 5.2K Hub Kit 6 on 5.50" bolt pattern	Uses 25580 Inner & 15123 Outer

BT8 SPINDLE • 1,100 LB. CAPACITY •



BT8 SPINDLE 1,100 LBS. • FITS 1" DIA. SPINDLE				
REF NO.	ITEM NO.	ID NO.	DESCRIPTION	BOLT PATTERN
HUB				
	7650012	008-091-05	HUB	4 ON 4.0
	7650012-04		COMPLETE HUB ASSEMBLY	4 ON 4.0
	7650009	008-173-16	HUB-DRUM	4 ON 4.0
	7650009-04		COMPLETE HUB-DRUM ASSEMBLY	4 ON 4.0
10	7650071	008-259-05	HUB ONLY 5.5" DIA. HUB FLANGE	5 ON 4.5
	7650071-04		COMPLETE HUB ASSEMBLY - 5.5" DIA. HUB FLANGE	5 ON 4.5
	7650001	008-258-05	HUB ONLY 6.5" DIA. HUB FLANGE	5 ON 4.5
	7650001-04		COMPLETE HUB ASSEMBLY - 6.5" DIA. HUB FLANGE	5 ON 4.5
HUB-DRUM				
	7650029	008-257-05	HUB/DRUM	5 ON 4.5
	7650029-04	008-257-91	COMPLETE HUB/DRUM ASSEMBLY	5 ON 4.5
COMPONENTS				
1	7700060	12192TB	DOUBLE LIP SEAL 1.983" OD X 1.249" ID	
2 & 5	7800007	L44643	INNER / OUTER BEARING	
N/S	7800046	L44610	INNER / OUTER RACE (PREINSTALLED IN HUBS)	
6	8750001	6-176	SPINDLE NUT 1"-14 12 SLOTS	
7	8750003	19-2	COTTER PIN 1/8" DIA X 1.75" LONG	
8	7700024	290-012	GREASE CAP 1.986 OD, DRIVE-IN	
8A	7700025	21-41-1	GREASE CAP FOR EZ LUBE 1.99"	
8B	7700053	85-1	RUBBER PLUG FOR EZ LUBE	
9	8750033	5-23	SPINDLE D-WASHER 1" ID EZ LUBE (AFTER 2002)	
11	8750006	6-191	SPINDLE SPECIAL JAM NUT EZ LUBE (AFTER 2002)	
12	8750030	6-190	SPINDLE NUT RETAINER EZ LUBE (AFTER 2002)	
	7700008	7-40	1/2-20 WHEEL BOLT 60° COINED 0.88" LONG (FOR HUB)	
4	7700133	7-246	1/2-20 PRESS-IN WHEEL STUD 1.81 LONG (FOR HUB-DRUM)	
3	7700045	6-80	1/2-20 CONE NUT	

N/S=Not Shown.

*** Hub Or Hub-Drum Includes; Hub, Wheel Studs And Inner & Outer Races.

*** Complete Hub Or Hub-Drum Assembly Includes; Cupped & Studded Hub Or Hub-Drum, Inner & Outer Bearings, Seal, Lugnuts And Grease Cap.

*** For Brakes See Section B.

Items available in a kit. See Page C-5.

BT8 SPINDLE • 1,100 LB. CAPACITY •



1



2



3



4



5



6



7



8



9



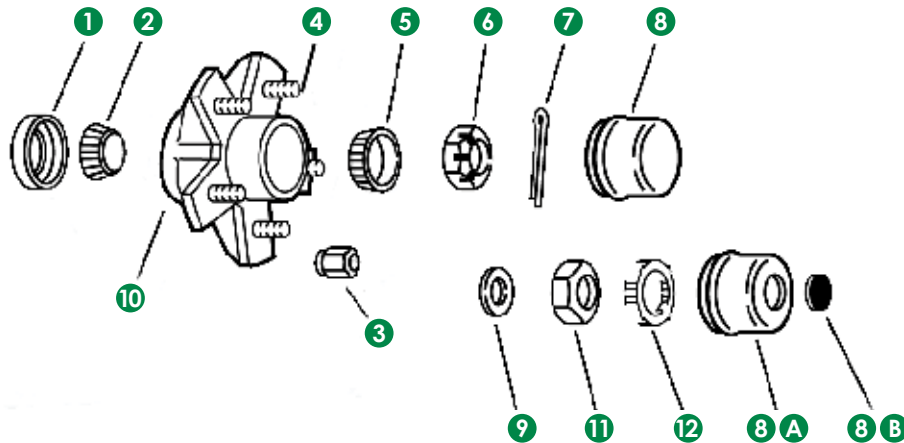
10

BT8 SPINDLE 1,100 LBS. • FITS 1" DIA. SPINDLE

REF NO.	ITEM NO.	ID NO.	DESCRIPTION	QUANTITY	SPECIFICATIONS
1	7800037-01	K71-715-00	BEARING KIT 1" BT8 SPINDLE 2K 1-WHEEL		
	7800007	L44643	BEARING	2	1.000 I.D.
	7800046	L44610	RACE FOR L44643 BEARING	2	1.980 O.D.
	7700060	12192TB	DOUBLE LIP BT8 GREASE SEAL 1.249" ID	1	1.983 O.D. 1.249 I.D.
	8750003	019-02-00	1/8" DIAMETER COTTER PIN 1-3/4" LONG	1	
	8750040	005-101-00	TANG WASHER 0.036"	1	1.560 O.D. 1.010 I.D.
2	7700024-01	K71-314-00	GREASE CAP KIT 1.986 2K - 3.5K STANDARD DRIVE-IN		
	7700024	021-003-00	GREASE CAP STANDARD DRIVE-IN	2	1.986 O.D.
3	7700025-01	K71-315-00	EZ-LUBE CAP KIT 1.986 2K - 3.5K STANDARD DRIVE-IN		
	7700025	021-041-01	EZ-LUBE CAP DRIVE-IN	2	1.986 O.D.
	7700053	085-001-00	RUBBER PLUG FOR EZ-LUBE CAP	2	
4	7700045-01	K71-299-60	WHEEL NUT 60° CONE 1/2"-20 DEXTER OEM KIT		
	7700045	006-080-00	WHEEL NUT 60° CONE 1/2"-20 GRADE 5 OEM DEXTER	6	
5	7700133	007-246-00	WHEEL STUD PRESS-IN 1/2"-20 DEXTER OEM KIT 1.81"L	1	
6	7700008	007-040-00	WHEEL BOLT 60° CONE 1/2"-20 DEXTER OEM KIT 0.88"L	1	
7	8750001	006-176-00	SPINDLE NUT 1"-14 12 SLOTS	1	
8	8750033	005-023-00	SPINDLE D-WASHER 1" ID EZ LUBE (AFTER 2002)	1	
9	8750006	006-191-00	SPINDLE SPECIAL JAM NUT EZ LUBE (AFTER 2002)	1	
10	8750030	006-190-00	SPINDLE NUT RETAINER EZ LUBE (AFTER 2002)	1	

BT8 SPINDLE 1,100 LB. CAPACITY •

BT16 SPINDLE • 2,200 LB. CAPACITY •



BT16 SPINDLE 2,200 LBS. • FITS 1-1/16" DIA. SPINDLE

REF NO.	ITEM NO.	ID NO.	DESCRIPTION	BOLT PATTERN
HUB				
	7650012	8-91-5	HUB	4 ON 4.0
	7650012-02	8-91-91	COMPLETE HUB ASSEMBLY	4 ON 4.0
	7650012-03	8-91-93	COMPLETE EZ LUBE HUB ASSEMBLY	4 ON 4.0
10	7650071	8-259-5	HUB 5.5" DIA. HUB FLANGE	5 ON 4.5
	7650071-02	8-259-91	COMPLETE HUB ASSEMBLY 5.5" DIA. HUB FLANGE	5 ON 4.5
	7650071-03	8-259-93	COMPLETE HUB ASSEMBLY- EZ LUBE 5.5" DIA HUB FLANGE	5 ON 4.5
	7650071-03B	-	PREGREASED BOXED COMPLETE HUB EZ ASSEMBLY W/ SPINDLE HARDWARE - 5.5" DIA. HUB FLANGE	5 ON 4.5
	7650071-GV	-	GALVANIZED HUB	5 ON 4.5
	7650071-GV3B	-	GALVANIZED PREGREASED BOXED COMPLETE HUB EZ ASSEMBLY W/SPINDLE HARDWARE - 5.5" DIA. HUB FLANGE	5 ON 4.5
	7650001	8-258-5	HUB 6.5" DIA. HUB FLANGE	5 ON 4.5
	7650001-02	8-258-91	COMPLETE HUB ASSEMBLY 6.5" DIA. HUB FLANGE	5 ON 4.5
	7650001-03	8-258-93	COMPLETE HUB ASSEMBLY - EZ LUBE 6.5" DIA. HUB FLANGE	5 ON 4.5
HUB-DRUM				
	7650009	8-173-16	HUB-DRUM	4 ON 4.0
	7650009-02	8-173-91	COMPLETE HUB-DRUM ASSEMBLY	4 ON 4.0
	7650009-03	8-173-92	COMPLETE HUB-DRUM EZ LUBE ASSEMBLY	4 ON 4.0
	7650029	8-257-5	HUB/DRUM	5 ON 4.5
	7650029-02	8-257-91	COMPLETE HUB-DRUM ASSEMBLY	5 ON 4.5
	7650029-03	8-257-92	COMPLETE HUB-DRUM EZ LUBE ASSEMBLY	5 ON 4.5
1	7700083	10-60	DOUBLE LIP SEAL 1.987" OD X 1.5" ID	
2 & 5	7800010	L44649	INNER / OUTER BEARING	
N/S	7800046	L44610	INNER / OUTER RACE (PREINSTALLED IN HUBS)	
6	8750001	6-176	SPINDLE NUT 1"-14 12 SLOTS	
	8750005	6-1	SPINDLE NUT 1"-14 6 SLOTS	
7	8750003	19-2	COTTER PIN 1/8" DIA X 1.75" LONG	
8	7700024	21-3	GREASE CAP 1.99"	
8A	7700025	21-41-1	GREASE CAP FOR EZ LUBE 1.99"	
8B	7700053	85-1	RUBBER PLUG FOR EZ LUBE	
9	8750033	5-23	SPINDLE D-WASHER 1" ID EZ LUBE (AFTER 2002)	
11	8750006	6-191	SPINDLE SPECIAL JAM NUT EZ LUBE (AFTER 2002)	
12	8750030	6-190	SPINDLE NUT RETAINER EZ LUBE (AFTER 2002)	
	7700008	7-40	1/2-20 WHEEL BOLT 60° COINED 0.88" LONG (FOR HUB)	
4	7700133	7-246	1/2-20 PRESS-IN WHEEL STUD 1.81 LONG	
3	7700045	6-80	1/2 -20 60 DEG CONE NUT	

*** Hub or Hub-Drum Includes; hub, wheel studs and inner & outer races.

N/S = Not Shown

*** Complete Hub or Hub-Drum Assembly includes; cupped & studded hub or hub-drum, inner & outer bearings, seal, lugnuts and dust/grease cap.

** 5.5" dia Hub Flange takes 8"-12" Wheels; 6.5" dia Hub Flange takes 13"-15" Wheels.

*** For Brakes see Section B.

Items Available in a Kit. See Page C-7.

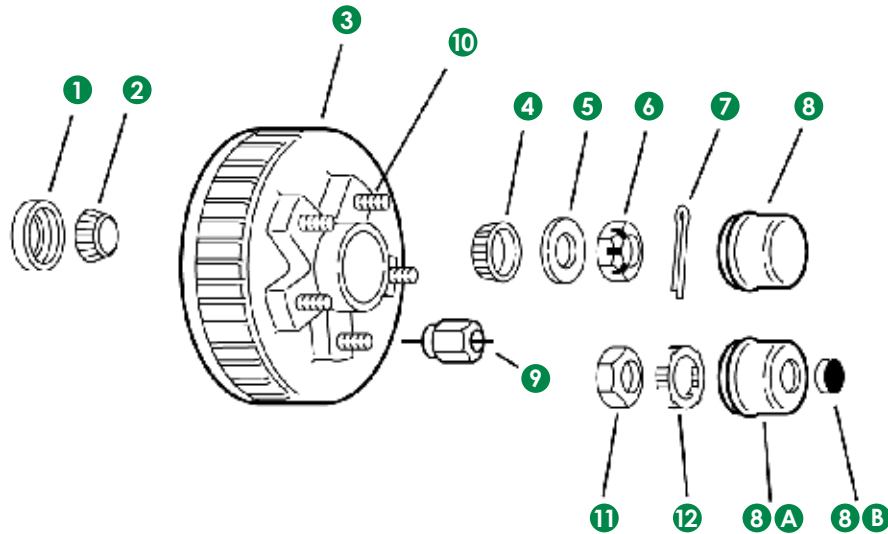
BT16 SPINDLE 2,200 LB. CAPACITY •

BT16 SPINDLE • 2,200 LB. CAPACITY •



BT16 SPINDLE 2,200 LBS. • FITS 1-1/16" DIA. SPINDLE						
REF NO.	ITEM NO.	ID NO.	DESCRIPTION	QUANTITY	SPECIFICATIONS	
1	7800038-01	K71-716-00	BEARING KIT 1.125" BT16 SPINDLE 2K 1-WHEEL			
	7800010	L44649	BEARING	2		1.063 I.D.
	7800046	L44610	RACE FOR L44649 BEARING	2	1.980 O.D.	
	7700083	010-060-00	DOUBLE LIP BT16 GREASE SEAL EZ-LUBE	1	1.987 O.D.	1.500 I.D.
	8750003	019-002-00	1/8" DIAMETER COTTER PIN 1-3/4" LONG	1		
	8750040	005-101-00	TANG WASHER 1.01" ID X 1.56" OD X 0.036"	1	1.560 O.D.	1.010 I.D.
2	7700024-01	K71-314-00	GREASE CAP KIT 1.986 2K STANDARD DRIVE-IN			
	7700024	021-003-00	GREASE CAP STANDARD DRIVE-IN	2	1.986 O.D.	
3	7700025-01	K71-315-00	EZ-LUBE CAP KIT 1.986 2K STANDARD DRIVE-IN			
	7700025	021-041-01	EZ-LUBE CAP DRIVE-IN	2	1.986 O.D.	
	7700053	085-001-00	RUBBER PLUG FOR EZ-LUBE CAP	2		
4	7700045-01	K71-299-00	WHEEL NUT 60° CONE 1/2"-20 DEXTER OEM KIT			
	7700045	006-080-00	WHEEL NUT 60° CONE 1/2"-20 GRADE 5 OEM DEXTER	6		
5	7700133	007-246-00	WHEEL STUD PRESS-IN 1/2"-20 DEXTER OEM KIT 1.81"L	1		
6	7700008	007-040-00	WHEEL BOLT 60° CONE 1/2"-20 DEXTER OEM KIT 0.88"L	1		
7	8750102-01	K71-355-00	SPINDLE NUT 1"-14 6 SLOTS			
	8750005	006-001-00	SPINDLE NUT 1"-14 6 SLOTS	2		
	8750033	005-023-00	SPINDLE D-WASHER 1" ID EZ LUBE (AFTER 2002)	2		
	8750030	-	SPINDLE NUT RETAINER EZ LUBE (AFTER 2002)	2		
8	8750001	006-176-00	SPINDLE NUT 1"-14 12 SLOTS	1		
9	8750006	006-191-00	SPINDLE SPECIAL JAM NUT EZ LUBE (AFTER 2002)	1		
10	8750030	006-190-00	SPINDLE NUT RETAINER EZ LUBE (AFTER 2002)	1		

#84 SPINDLE • 3,500 LB. CAPACITY =



#84 SPINDLE 3,500 LBS. • FITS #84F SPINDLE				
REF NO.	ITEM NO.	ID NO.	DESCRIPTION	BOLT PATTERN
HUB				
	7650073	008-248-05	HUB	5 ON 4.5
	7650073-02	008-248-90	COMPLETE HUB ASSEMBLY	5 ON 4.5
	7650073-03	008-248-95	COMPLETE EZ LUBE HUB ASSEMBLY	5 ON 4.5
	7650073-GV	008-248-05G	GALVANIZED HUB	5 ON 4.5
	7650073-GV3B	008-248-50	GALVANIZED PREGREASED BOXED HUB ASSEMBLY WITH SPINDLE HARDWARE	5 ON 4.5
	7650075	008-248-10	HUB	5 ON 4.75
	7650075-02	008-248-92	COMPLETE HUB ASSEMBLY	5 ON 4.75
	7650075-03	008-248-97	COMPLETE EZ LUBE HUB ASSEMBLY	5 ON 4.75
	7650077	008-256-07	HUB	5 ON 5.0
	7650077-02	008-256-91	COMPLETE HUB ASSEMBLY	5 ON 5.0
	7650077-03	008-256-92	COMPLETE EZ LUBE HUB ASSEMBLY	5 ON 5.0
	7650077-03B	-	PREGREASED BOXED COMPLETE HUB EZ ASSEMBLY WITH SPINDLE HARDWARE	5 ON 5.0
	7650079	008-256-05	HUB	5 ON 5.5
	7650079-02	008-256-90	COMPLETE HUB ASSEMBLY	5 ON 5.5
	7650079-03	008-256-95	COMPLETE EZ LUBE HUB ASSEMBLY	5 ON 5.5
	7650081	008-251-05	HUB	6 ON 5.5
	7650081-02	008-251-90	COMPLETE HUB ASSEMBLY	6 ON 5.5
	7650081-03	008-251-91	COMPLETE EZ LUBE HUB ASSEMBLY	6 ON 5.5
HUB-DRUM				
3	7650030	008-247-05	HUB-DRUM	5 ON 4.5
	7650030-02	008-247-90	COMPLETE HUB-DRUM ASSEMBLY	5 ON 4.5
	7650030-03	008-247-94	COMPLETE HUB-DRUM EZ LUBE ASSEMBLY	5 ON 4.5
	7650030-03B	008-247-94	PREGREASED BOXED COMPLETE HUB-DRUM EZ ASSEMBLY WITH SPINDLE HARDWARE	5 ON 4.5
	7650032	008-247-12	HUB-DRUM	5 ON 4.75
	7650032-02	008-247-93	COMPLETE HUB-DRUM ASSEMBLY	5 ON 4.75
	7650032-03	008-247-95	COMPLETE HUB-DRUM EZ LUBE ASSEMBLY	5 ON 4.75
	7650034	008-249-07	HUB-DRUM	5 ON 5.0
	7650034-02	008-249-91	COMPLETE HUB-DRUM ASSEMBLY	5 ON 5.0
	7650034-03	008-249-95	COMPLETE HUB-DRUM EZ LUBE ASSEMBLY	5 ON 5.0
	7650034-03B	008-249-95	PREGREASED BOXED COMPLETE HUB-DRUM EZ ASSEMBLY WITH SPINDLE HARDWARE	5 ON 4.5
	7650036	008-249-05	HUB-DRUM	5 ON 5.5
	7650036-02	008-249-90	COMPLETE HUB-DRUM ASSEMBLY	5 ON 5.5
	7650036-03	008-249-96	COMPLETE HUB-DRUM EZ LUBE ASSEMBLY	5 ON 5.5
	7650038	008-250-05	HUB-DRUM	6 ON 5.5
	7650038-02	008-250-90	COMPLETE HUB-DRUM ASSEMBLY	6 ON 5.5
	7650038-03	008-250-91	COMPLETE HUB-DRUM EZ LUBE ASSEMBLY	6 ON 5.5

#84 SPINDLE • 3,500 LB. CAPACITY =



COMPONENTS			
REF NO.	ITEM NO.	ID NO.	DESCRIPTION
1	7700085	010-019-00	DOUBLE LIP SEAL 2.565" OD X 1.719" ID
2	7800006	L68149	INNER BEARING
N/S	7800041	L68111	INNER RACE (PREINSTALLED IN HUBS)
4	7800046	L44610	OUTER BEARING 1.980" OD
N/S	7800010	L44649	OUTER RACE (PREINSTALLED IN HUBS)
8	7700024	021-003-00	GREASE CAP 1.99"
8A	7700025	021-041-01	GREASE CAP EZ LUBE 1.99"
8B	7700053	085-001-00	RUBBER PLUG EZ LUBE
7	8750003	019-002-00	COTTER PIN
6	8750001	006-176-00	SPINDLE NUT 1"-14 12 SLOTS
	8750005	006-001-00	SPINDLE NUT 1"-14 6 SLOTS
5	8750033	005-023-00	SPINDLE D-WASHER 1" ID EZ LUBE
11	8750006	006-191-00	SPINDLE SPECIAL JAM NUT EZ LUBE (AFTER 2002)
12	8750030	006-190-00	SPINDLE NUT RETAINER EZ LUBE (AFTER 2002)
10	7700109	007-122-00	1/2 -20 PRESSED WHEEL STUD
9	7700045	006-080-00	1/2 -20 60 DEG CONE NUT

*** Hub or hub-drum includes; hub, wheel studs and inner & outer races complete hub or hub-drum assembly includes; cupped & studded hub or hub-drum, inner & outer bearings, seal, lugnuts and dust/grease cap.

N/S = Not Shown

*** For Brakes see Section B.

Items available in a kit. See Page C-10.

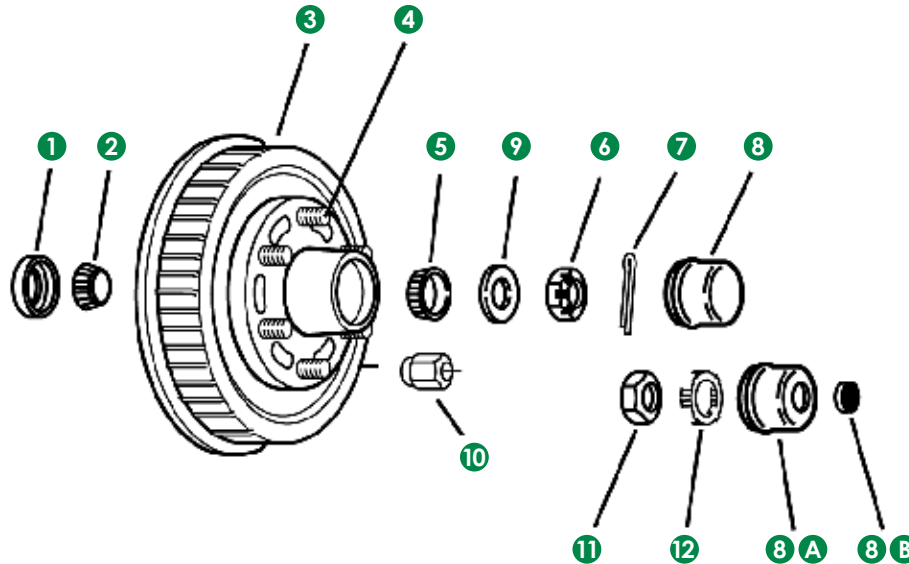
#84 SPINDLE • ACCESSORIES



#84 SPINDLE • FITS #84F SPINDLE						
REF NO.	ITEM NO.	ID NO.	DESCRIPTION	QUANTITY	SPECIFICATIONS	
1	7800059-01	K71-717-00	BEARING KIT #84F SPINDLE 3.5K 1-WHEEL			
	7800010	L44649	BEARING	1		1.063 I.D.
	7800046	L44610	RACE FOR L44649 BEARING	1	1.980 O.D.	
	7800006	L68149	BEARING	1		1.378 I.D.
	7800041	L68111	RACE FOR L68149 BEARING	1	2.362 O.D.	
	7700085	010-019-00	DOUBLE LIP GREASE SEAL	1	2.565 O.D.	1.719 I.D.
	8750003	019-002-00	1/8" DIAMETER COTTER PIN 1-3/4" LONG	1		
	8750040	005-101-00	TANG WASHER 0.036"	1	1.560 O.D.	1.010 I.D.
1	7800061-02	TTBK844	BEARING KIT #84 SPINDLE 4.4K 1-WHEEL			
	7800043	LM67048	BEARING	1		1.250 I.D.
	7800045	LM67010	RACE FOR LM67048 BEARING	1	2.328 O.D.	
	7800006	L68149	BEARING	1		1.378 I.D.
	7800041	L68111	RACE FOR L68149 BEARING	1	2.362 O.D.	
	7700085	010-019-00	DOUBLE LIP GREASE SEAL 1.719" ID	1	2.565 O.D.	1.719 I.D.
	8750003	019-002-00	1/8" DIAMETER COTTER PIN 1-3/4" LONG	1		
	8750040	005-101-00	TANG WASHER 1.01" ID X 1.56" OD X 0.036"	1	1.560 O.D.	1.010 I.D.
2	7700024-01	K71-314-00	GREASE CAP KIT 1.986 3.5K STANDARD DRIVE-IN			
	7700024	021-003-00	GREASE CAP STANDARD DRIVE-IN	2	1.986 O.D.	
3	7700025-01	K71-315-00	EZ-LUBE CAP KIT 1.986 3.5K STANDARD DRIVE-IN			
	7700025	021-041-01	EZ-LUBE CAP DRIVE-IN	2	1.986 O.D.	
	7700053	085-001-00	RUBBER PLUG FOR EZ-LUBE CAP	2		
2	7700027-01	K71-314-00	GREASE CAP KIT 2.450 4.4K STANDARD DRIVE-IN			
	7700027	021-001-00	GREASE CAP STANDARD DRIVE-IN	2	2.450 O.D.	
3	7700016-01	K71-317-00	EZ-LUBE CAP KIT 2.450 4.4K STANDARD DRIVE-IN			
	7700016	021-042-01	EZ-LUBE CAP DRIVE-IN	2	2.450 O.D.	
	7700053	085-001-00	RUBBER PLUG FOR EZ-LUBE CAP	2		
4	7700045-01	K71-299-00	WHEEL NUT 60° CONE 1/2"-20 DEXTER OEM KIT			
	7700045	006-080-00	WHEEL NUT 60° CONE 1/2"-20 GRADE 5 OEM DEXTER	6		
5	7700133	007-246-00	WHEEL STUD PRESS-IN 1/2"-20 DEXTER GRADE 8 1.81" L	1		
6	8750102-01	K71-355-00	SPINDLE NUT 1"-14 6 SLOTS			
	8750005	006-001-00	SPINDLE NUT 1"-14 6 SLOTS	2		
	8750033	005-023-00	SPINDLE D-WASHER 1" ID EZ LUBE (AFTER 2002)	2		
7	7700109-01	K71-295-00	WHEEL STUD PACKAGE DEXTER OEM 1/2"-20 X 1.84" L			
	7700109	007-122-00	DEXTER PRESS-IN WHEEL STUD 1/2"-20 X 1.84" L	4		
8	8750001	006-176-00	SPINDLE NUT 1"-14 12 SLOTS	1		
9	8750006	006-191-00	SPINDLE SPECIAL JAM NUT EZ LUBE (AFTER 2002)	1		
10	8750030	006-190-00	SPINDLE NUT RETAINER EZ LUBE (AFTER 2002)	1		

#84 SPINDLE • ACCESSORIES

#84 SPINDLE • 4,400 LB. CAPACITY ☞



#84 SPINDLE 4,400 LBS. • FITS #84F SPINDLE

REF NO.	ITEM NO.	ID NO.	DESCRIPTION	BOLT PATTERN
HUB-DRUM				
3	7650151	008-407-05	HUB-DRUM	6 ON 5.50
	7650151-02	008-407-90	COMPLETE HUB-DRUM ASSEMBLY	6 ON 5.50
	7650151-03	008-407-91	COMPLETE HUB-DRUM EZ LUBE ASSEMBLY	6 ON 5.50

COMPONENTS				
1	7700085	010-019-00	DOUBLE LIP SEAL 2.565" OD X 1.719" ID	
2	7800006	L68149	INNER BEARING	
N/S	7800041	L68111	INNER RACE (PREINSTALLED IN HUBS)	
N/S	7800045	LM67010	OUTER RACE 2.328" OD	
5	7800043	LM67048	OUTER BEARING (PREINSTALLED IN HUBS)	
8	7700027	021-001-00	GREASE CAP 2.45"	
8A	7700016	021-042-01	GREASE CAP EZ LUBE 2.45"	
8B	7700053	085-001-00	RUBBER PLUG EZ LUBE	
7	8750003	019-002-00	COTTER PIN	
6	8750001	006-176-00	SPINDLE NUT 1"-14 12 SLOTS	
	8750005	006-001-00	SPINDLE NUT 1"-14 6 SLOTS	
9	8750033	005-023-00	SPINDLE D-WASHER 1" ID EZ LUBE	
11	8750006	006-191-00	SPINDLE SPECIAL JAM NUT EZ LUBE (AFTER 2002)	
12	8750030	006-190-00	SPINDLE NUT RETAINER EZ LUBE (AFTER 2002)	
4	7700109	007-122-00	½ -20 PRESSED WHEEL STUD	
10	7700045	006-080-00	½ -20 60 DEG CONE NUT	

*** Hub-Drum Includes; hub, wheel studs and inner & outer races N/S = Not Shown

*** Complete Hub-Drum Assembly includes; cupped & studded hub or hub-drum, inner & outer bearings, seal, lugnuts and dust/grease cap.

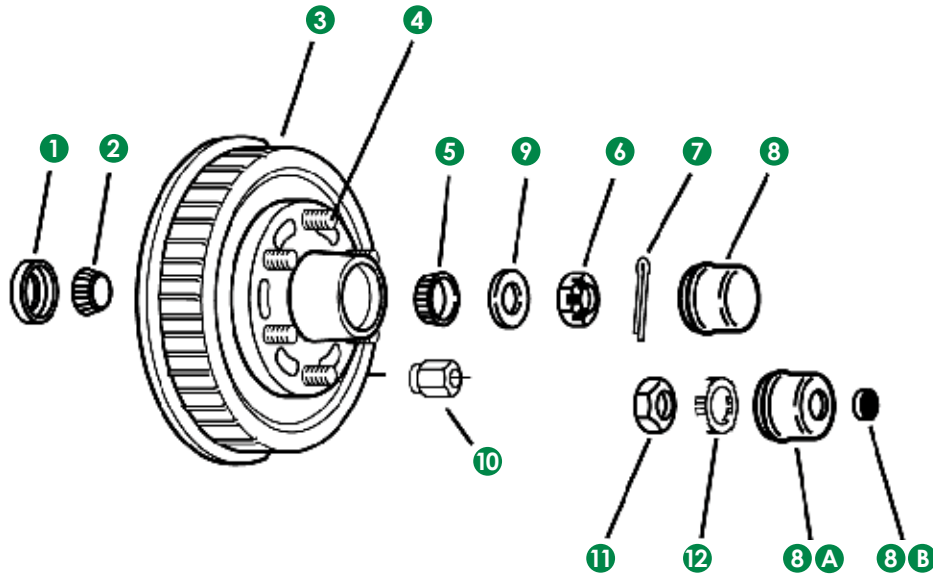
*** AVAILABLE ONLY AS HUB-DRUM.

*** For Brakes see Section B.

Items available in a kit. See Page C-10.

#84 SPINDLE • 4,400 LB. CAPACITY ☞

#42 SPINDLE • 5,200-6,000 LB. CAPACITY =



#42 SPINDLE 5,200 - 6,000 LBS • FITS #42F SPINDLE

REF NO.	ITEM NO.	ID NO.	DESCRIPTION	BOLT PATTERN
HUB				
	7650135	008-213-05	HUB 1/2" STUD	6 ON 5.50
	7650135-02	008-213-90	COMPLETE HUB ASSEMBLY 1/2" STUD FOR 2.125" SEAL * 6K REGULAR DUTY ONLY	6 ON 5.50
	7650135-03	008-213-95	COMPLETE HUB ASSEMBLY 1/2" STUD FOR EZ-LUBE® 2.125" SEAL * 6K REGULAR DUTY ONLY	6 ON 5.50
	7650085	008-213-09	HUB 1/2" STUD WITH 15123 BEARING	6 ON 5.50
	7650085-02	008-213-92	COMPLETE HUB ASSEMBLY 1/2" STUD FOR 15123 2.125" SEAL * 6K REGULAR DUTY ONLY	6 ON 5.50
	7650085-03	008-213-98	COMPLETE HUB ASSEMBLY 1/2" STUD FOR 15123 EZ-LUBE® 2.125" SEAL * 6K REGULAR DUTY ONLY	6 ON 5.50
	7650085-03B	008-213-98	PREGREASED BOXED COMPLETE HUB EZ-LUBE® ASSEMBLY WITH 15123 BEARING FOR 2.125" SEAL & SPINDLE HARDWARE	6 ON 5.50
	7650085-04	008-213-96	COMPLETE HUB ASSEMBLY 1/2" STUD FOR 15123 2.25" SEAL	6 ON 5.50
	7650085-05	008-213-9C	COMPLETE HUB ASSEMBLY 1/2" STUD FOR 15123 EZ-LUBE® 2.25" SEAL	6 ON 5.50
	7650085-GV3B	-	GALVANIZED PREGREASED BOXED HUB ASSEMBLY WITH 15123 BEARING 1/2" STUDS & SPINDLE HARDWARE	6 ON 5.50
	7650100	008-388-80	NEV-R-LUBE® HUB 1/2" STUD 5.2K	6 ON 5.50
	7650100-02	008-388-90	COMPLETE NEV-R-LUBE® HUB ASSEMBLY 42MM CARTRIDGE 1/2" STUDS	6 ON 5.50
	7650085-GV	-	GALVANIZED HUB 1/2" STUD WITH 15123 BEARING	6 ON 5.50
HUB-DRUM				
3	7650133	008-201-05	HUB-DRUM 1/2" STUD FOR 2.125" SEAL	6 ON 5.50
	7650133-02	008-201-90	COMPLETE HUB-DRUM ASSEMBLY * 6K REGULAR DUTY ONLY	6 ON 5.50
	7650133-03	008-201-94	EZ-LUBE® COMPLETE HUB-DRUM ASSEMBLY * 6K REGULAR DUTY ONLY	6 ON 5.50
	7650041	008-201-09	HUB-DRUM 1/2" STUD FOR 2.250" SEAL	6 ON 5.50
	7650041-02	008-201-9A	COMPLETE HUB-DRUM ASSEMBLY 1/2" STUD FOR 2.250" SEAL	6 ON 5.50
	7650041-03	008-201-9B	COMPLETE HUB-DRUM ASSEMBLY 1/2" STUD FOR 2.250" SEAL EZ-LUBE®	6 ON 5.50
	7650041-03B	008-201-9B	PREGREASED BOXED COMPLETE HUB EZ-LUBE® ASSEMBLY FOR 2.250" SEAL WITH SPINDLE HARDWARE	6 ON 5.50

#42 SPINDLE • 5,200-6,000 LB. CAPACITY •



#42 SPINDLE • 5,200-6,000 LB. CAPACITY •

COMPONENTS

REF NO.	ITEM NO.	ID NO.	DESCRIPTION
1	7700073	010-036-00	DOUBLE LIP SEAL 3.376"OD X 2.250"ID
	7700088	010-63-00	UNITIZED OIL SEAL 3.376"OD X 2.250"ID
2	7800026	25580	INNER BEARING
	7800054	25520	INNER RACE (PREINSTALLED IN HUBS)
N/S	7800055	15245	OUTER RACE (PREINSTALLED IN HUBS)
N/S	7800045	LM67010	OUTER RACE (5200#) (PREINSTALLED IN HUBS) * 6K REGULAR DUTY ONLY
5	7800027	15123	OUTER BEARING
	7800043	LM67048	OUTER BEARING (5200#) * 6K REGULAR DUTY ONLY
6	8750005	006-176-00	SPINDLE NUT
7	8750003	019-002-00	COTTER PIN
8	7700027	021-001-00	GREASE CAP 2.44"
8A	7700016	021-042-01	GREASE CAP EZ-LUBE 2.44"
8B	7700053	085-001-00	RUBBER PLUG EZ-LUBE
9	8750033	005-023-00	SPINDLE D-WASHER 1" ID EZ-LUBE
11	8750006	006-191-00	SPINDLE SPECIAL JAM NUT EZ-LUBE (AFTER 2002)
12	8750030	006-190-00	SPINDLE NUT RETAINER EZ-LUBE (AFTER 2002)
4	7700109	007-122-00	½ -20 X 1.84" LONG PRESSED WHEEL STUD
	7700142	007-262-00	½ -20 X 2.50" LONG PRESSED WHEEL STUD (HUB-DRUM AFTER FEB/2009)
10	7700045	006-080-00	½ -20 60 DEG CONE NUT
	7800065	031-073-03	NEV-R-LUBE® HUB 42MM BEARING CARTRIDGE
	7800066	069-095-00	NEV-R-LUBE® HUB 42MM BEARING RETAINER
	7700129	005-147-01	NEV-R-LUBE® HUB 42MM SPINDLE WASHER
	7700126	006-183-00	NEV-R-LUBE® HUB 42MM SPINDLE NUT
	7700127	092-002-00	NEV-R-LUBE® 42MM TORQUE INFORMATION DISC
	7700128	069-096-00	NEV-R-LUBE® SNAP RING
	7700130	021-085-00	NEV-R-LUBE® 42MM HUB CAP

*** Stud Length Measured Under Head To End Of Stud.

N/S = Not Shown

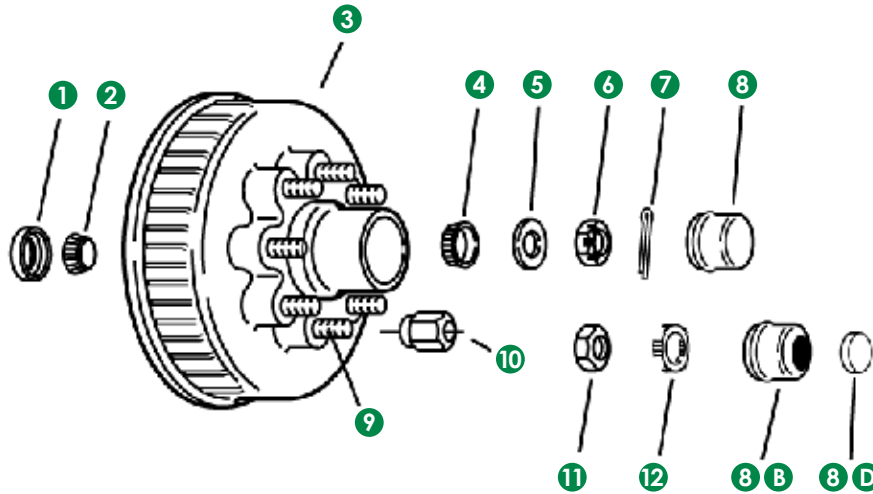
*** Hub Or Hub-Drum Includes; Hub, Wheel Studs And Inner & Outer Races.

*** Complete Hub Or Hub-Drum Assembly Includes; Cupped & Studded Hub Or Hub-Drum, Inner & Outer Bearings, Seal, Lugnuts And Dust/Grease Cap.

*** For Brakes See Section B.

Items Available In A Kit. See Page C-17.

#42 SPINDLE • 6,000-7,000 LB. CAPACITY =



#42 SPINDLE 6,000 - 7,000 LBS. • FITS #42F SPINDLE

REF NO.	ITEM NO.	ID NO.	DESCRIPTION	BOLT PATTERN
HUB				
	7650083	008-231-09	HUB WITH ½" STUDS GREASE LUBE	8 ON 6.50
	7650083-02	008-231-9E	COMPLETE HUB ASSEMBLY WITH ½" STUDS GREASE LUBE 2.250 SEAL	8 ON 6.50
	7650083-03	008-231-9A	COMPLETE HUB ASSEMBLY WITH ½" STUDS EZ-LUBE® 2.250 SEAL	8 ON 6.50
	7650083-04	008-231-92	COMPLETE HUB ASSEMBLY WITH ½" STUDS EZ-LUBE® 2.125 SEAL	8 ON 6.50
	7650008	008-231-16	HUB WITH ½" STUDS OIL BATH	8 ON 6.50
	7650086	008-231-18	HUB WITH 9/16" STUDS GREASE LUBE	8 ON 6.50
	7650164	008-231-20	HUB WITH 5/8" STUDS GREASE LUBE	8 ON 6.50
HUB-DRUM				
3	7650045	008-219-04	HUB-DRUM WITH ½" STUDS GREASE LUBE 5.2K-7K	8 ON 6.50
	7650045-02	008-219-9D	COMPLETE HUB-DRUM ASSEMBLY WITH ½" STUDS & 2.250 SEAL	8 ON 6.50
	7650045-03	008-219-9B	COMPLETE HUB-DRUM ASSEMBLY WITH ½" STUDS EZ-LUBE® & 2.250 SEAL	8 ON 6.50
	7650045-03B	008-219-9B	PREGREASED BOXED COMPLETE HUB-DRUM ASSEMBLY WITH ½" STUDS EZ-LUBE® 2.250 SEAL WITH SPINDLE HARDWARE	8 ON 6.50
	7650045-04	008-219-90	COMPLETE HUB-DRUM ASSEMBLY WITH ½" STUDS EZ-LUBE® 2.125 SEAL	8 ON 6.50
	7650044	008-219-09	HUB-DRUM WITH ½" STUDS OIL BATH	8 ON 6.50
	7650044-03	008-219-9E	COMPLETE HUB-DRUM ASSEMBLY WITH ½" STUDS OIL BATH 2.250 SEAL	8 ON 6.50
	7650050	008-219-13	HUB-DRUM WITH 9/16" STUDS GREASE LUBE	8 ON 6.50
	7650050-02	008-219-9C	HUB-DRUM WITH 9/16" STUDS EZ-LUBE®	8 ON 6.50
	7650050-03B	008-219-9C	GALVANIZED PREGREASED BOXED COMPLETE HUB-DRUM ASSEMBLY WITH 9/16" STUDS EZ-LUBE® WITH SPINDLE HARDWARE	8 ON 6.50
	7650166	008-219-20	HUB-DRUM WITH 9/16" STUDS OIL BATH	8 ON 6.50
	7650113	008-219-18	HUB-DRUM WITH 5/8" STUDS GREASE LUBE	8 ON 6.50
	7650115	008-219-26	HUB-DRUM WITH 5/8" STUDS OIL BATH	8 ON 6.50

#42 SPINDLE • 6,000-7,000 LB. CAPACITY =

#42 SPINDLE • 6,000-7,000 LB. CAPACITY =



COMPONENTS			
1	7700073	010-036-00	DOUBLE LIP SEAL 3.376"OD X 2.250"ID (GREASE)
	7700086	010-010-00	DOUBLE LIP SEAL 3.376"OD X 2.125"ID (EZ LUBE)
	7700088	010-063-00	UNITIZED OIL SEAL 3.376"OD X 2.250"ID (OIL)
2	7800026	25580	INNER BEARING
N/S	7800054	25520	INNER RACE (PREINSTALLED IN HUBS)
N/S	7800056	14276	OUTER RACE (PREINSTALLED IN HUBS)
4	7800017	14125A	OUTER BEARING (865)
6	8750005	006-176-00	SPINDLE NUT
7	8750003	019-002-00	COTTER PIN
8	7700186	021-039-00	GREASE CAP 2.72" (865)
8B	7700018	021-043-01	GREASE CAP EZ LUBE 2.72" (865)
	7700019	021-043-02	GREASE CAP EZ LUBE CHROME 2.72" (865)
8D	7700053	085-001-00	RUBBER PLUG EZ LUBE
	7700055	010-045-00	O'RING (865)
	7700029	021-035-00	OIL CAP (865)
	7700052	046-032-00	OIL CAP PLUG
	7700051	046-052-00	OIL FILL HOLE PLUG
5	8750034	005-057-00	SPINDLE D-WASHER 1" ID
11	8750006	006-191-00	SPECIAL JAM NUT EZ LUBE (AFTER '02)
12	8750030	006-190-00	NUT RETAINER EZ LUBE (AFTER '02)
	7700109	007-122-00	½ -20 X 1.84" LONG PRESSED WHEEL STUD (HUB-DRUM BEFORE JAN.-04)
9	7700142	007-262-00	½ -20 X 2.50" LONG PRESSED WHEEL STUD (HUB-DRUM AFTER JAN.-04)
	7700112	007-132-00	9/16"-18 X 2.30" LONG PRESSED WHEEL STUD
	7700090	025-011-00	9/16-18 X 3.06" LONG WHEEL STUD - UTG
	7700156	007-232-00	5/8"-18 X 2.75" LONG PRESSED WHEEL STUD
10	7700045	006-080-00	½ -20 60 DEG CONE NUT
	7700036	006-053-00	9/16"-18 60 DEG CONE NUT
	7700048	006-109-00	5/8"-18 90 DEG CONE NUT

** Stud length measured under head to end of stud.

N/S = Not Shown

*** Hub or Hub-Drum Includes; hub, wheel studs and inner & outer races

*** Complete Hub or Hub-Drum Assembly includes; cupped & studded hub or hub-drum, inner & outer bearings, seal, lugnuts and dust/grease cap

*** For Brakes see Section B.

Items Available in a Kit. See Page C-17.

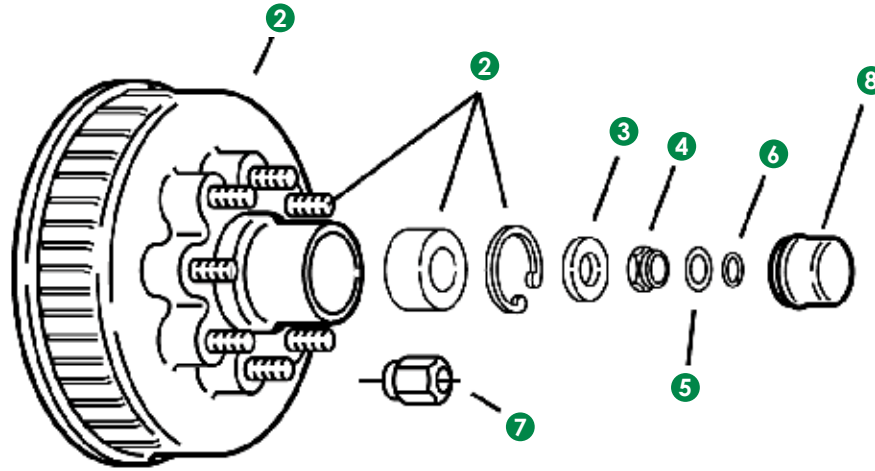
#42 SPINDLE • ACCESSORIES



#42 SPINDLE • FITS #42F SPINDLE						
REF NO.	ITEM NO.	ID NO.	DESCRIPTION	QUANTITY	SPECIFICATIONS	
1	7800070-01	K71-719-00	BEARING KIT #42 SPINDLE 5.2K-6K 6-LUG/UTG WHEEL	1-WHEEL		
	7800027	15123	BEARING	1		1.250 I.D.
	7800055	15245	RACE FOR 15123 BEARING	1	2.441 O.D.	
	7800026	25580	BEARING	1		1.750 I.D.
	7800054	25520	RACE FOR 25580 BEARING	1	3.265 O.D.	
	7700073	010-036-00	DOUBLE LIP GREASE SEAL	1	3.376 O.D.	2.250 I.D.
	8750003	019-002-00	1/8" DIAMETER COTTER PIN 1-3/4" LONG	1		
	8750040	005-101-00	TANG WASHER .0036"	1	1.560 O.D.	1.010 I.D.
1	7800071-01	K71-720-00	BEARING KIT #42 SPINDLE 6K-7K 8-LUG WHEEL	1-WHEEL		
	7800017	14125A	BEARING	1		1.250 I.D.
	7800056	14276	RACE FOR 14125A BEARING	1	2.717 O.D.	
	7800026	25580	BEARING	1		1.750 I.D.
	7800054	25520	RACE FOR 25580 BEARING	1	3.265 O.D.	
	7700073	010-036-00	DOUBLE LIP GREASE SEAL	1	3.376 O.D.	2.250 I.D.
	8750003	019-002-00	1/8" DIAMETER COTTER PIN 1-3/4" LONG	1		
	8750040	005-101-00	TANG WASHER .0036"	1	1.560 O.D.	1.010 I.D.
2	7700027-01	K71-314-00	GREASE CAP KIT 2.450 5.2K-7K STANDARD DRIVE-IN			
	7700027	021-001-00	GREASE CAP STANDARD DRIVE-IN	2	2.450 O.D.	
3	7700016-01	K71-317-00	EZ-LUBE CAP KIT 2.450 5.2K-7K STANDARD DRIVE-IN			
	7700016	021-042-01	EZ-LUBE CAP DRIVE-IN	2	2.450 O.D.	
	7700053	085-001-00	RUBBER PLUG FOR EZ-LUBE CAP	2		
4	7700029-01	K71-038-00	DEXTER SCREW-ON OIL CAP KIT WITH O-RING, PLUG & GASKET (2-EACH)			
	7700029	021-035-00	DEXTER SCREW-ON OIL CAP			
	7700055	010-045-00	DEXTER OIL CAP O-RING			
	7700052	046-032-00	DEXTER OIL CAP PLUG			
5	7700045-01	K71-299-00	WHEEL NUT 60° CONE 1/2"-20 DEXTER OEM KIT			
	7700045	006-080-00	WHEEL NUT 60° CONE 1/2"-20 GRADE 5 OEM DEXTER	6		
6	7700051	046-052-00	OIL FILL HOLE PLUG	1		
7	7700109-01	K71-295-00	WHEEL STUD PACKAGE DEXTER OEM 1/2"-20 X 1.84" L			
	7700109	007-122-00	DEXTER PRESS-IN WHEEL STUD 1/2"-20 X 1.84" L	4		
8	7700048-01	K71-347-00	WHEEL NUT 90° CONE GRADE 8 ZINC (4-EACH)			
	7700048	006-109-00	WHEEL NUT 90° CONE 9/16"-18 GRADE 8 OEM DEXTER	4		
9	7700107-01	K71-342-00	PRESS-IN WHEEL STUD GRADE 8 (4-EACH)			
	7700107	007-115-00	DEXTER PRESS-IN WHEEL STUD 5/8"-16 X 3.16" L	4		
10	7700058-01	K71-298-00	RIM CLAMP UTG & MH STYLE (5-EACH)			
	7700058	015-002-00	RIM CLAMP UTG & MH STYLE	5		

For Chrome Acorn Capped Type Nuts, see Page C-48.

#42 SPINDLE • 6,000-7,000 LB. CAPACITY • NEV-R-LUBE & UTG



#42 SPINDLE 6,000 - 7,000 LBS • FITS #42F SPINDLE

REF NO.	ITEM NO.	ID NO.	DESCRIPTION	BOLT PATTERN
	7650100	008-388-80	NEV-R-LUBE® HUB-DRUM WITH ½" STUDS 42MM BEARINGS 6K	6 ON 5.50
	7650100-02	008-388-90	COMPLETE NEV-R-LUBE® HUB-DRUM WITH ½" STUDS 42MM BEARINGS 6K	6 ON 5.50
2	7650101	008-385-82	NEV-R-LUBE® HUB-DRUM WITH ½" STUDS 50MM BEARINGS 6K	8 ON 6.50
	7650101-02	008-385-92	COMPLETE NEV-R-LUBE® HUB-DRUM WITH ½" STUDS 50MM BEARINGS 6K	8 ON 6.50
	7650089	008-385-81	NEV-R-LUBE® HUB-DRUM WITH 9/16" STUDS 50MM BEARINGS 6K-7K 4.75" PILOT	8 ON 6.50
	7650089-02	008-385-91	COMPLETE NEV-R-LUBE® HUB-DRUM WITH 9/16" STUDS 50MM BEARINGS 6K-7K 4.75" PILOT	8 ON 6.50
	7650102	008-385-80	NEV-R-LUBE® HUB-DRUM WITH 5/8" STUDS 50MM BEARINGS 6K-7K 4.75" PILOT	8 ON 6.50
	7650102-02	008-385-90	COMPLETE NEV-R-LUBE® HUB-DRUM WITH 5/8" STUDS 50MM BEARINGS 6K-7K 4.75" PILOT	8 ON 6.50

UTILITY GRADE (UTG) DEMOUNTABLE HUB-DRUM

	7650047	008-174-05	DEMOUNTABLE UTILITY GRADE (UTG) 5-SPOKE HUB-DRUM WITH 9/16" STUDS GREASE LUBE	5-SPOKE
	7650047-02	008-174-90	COMPLETE DEMOUNTABLE UTILITY GRADE (UTG) 5-SPOKE HUB-DRUM W/ 9/16" STUDS GREASE LUBE	5-SPOKE
	7650165	008-1740-6	DEMOUNTABLE UTILITY GRADE (UTG) 5-SPOKE HUB-DRUM WITH 9/16" STUDS OIL BATH	5-SPOKE

NEV-R-LUBE® HUB-DRUM

REF NO.	ITEM NO.	ID NO.	DESCRIPTION
	7700109	007-122-00	1/2"-20 X 1.81" LONG PRESSED WHEEL STUD
	7800065	031-073-03	42MM BEARING CARTRIDGE
	7800066	069-095-00	42MM BEARING RETAINER
	7700145	007-224-00	5/8"-18 X 2.5" LONG PRESSED WHEEL STUD
	7800067	031-071-03	50MM BEARING CARTRIDGE
	7800068	069-093-00	50MM BEARING RETAINER
	7700123	007-223-00	9/16"-18 X 2.5" LONG PRESSED WHEEL STUD
	7700129	005-147-01	SPINDLE WASHER 42MM
3	7700131	005-149-00	SPINDLE WASHER 50MM
4	7700126	006-183-00	SPINDLE NUT
5	7700127	092-002-00	TORQUE INFORMATION DISC 35, 42 & 50MM
6	7700128	069-096-00	SNAP RING
	7700130	021-085-00	HUB CAP 42MM
8	7700132	021-086-00	HUB CAP 50MM
7	7700045	006-080-00	½ -20 60 DEG CONE NUT
	7700036	006-053-00	9/16"-18 60 DEG CONE NUT ZINC PLATED
	7700048	006-109-00	5/8"-18 60 DEG CONE NUT ZINC PLATED

UTILITY GRADE (UTG) DEMOUNTABLE HUB-DRUM

ITEM NO.	ID NO.	DESCRIPTION
7700073	010-036-00	DOUBLE LIP SEAL 3.376"OD X 2.250"ID (GREASE)
7700086	010-010-00	DOUBLE LIP SEAL 3.376"OD X 2.125"ID (EZ LUBE)
7700088	010-063-00	UNITIZED OIL SEAL 3.376"OD X 2.250"ID (OIL)
7800026	25580	INNER BEARING
7800054	25520	INNER RACE (PREINSTALLED IN HUBS)
8750005	006-176-00	SPINDLE NUT
8750003	019-002-00	COTTER PIN
8750034	005-057-00	SPINDLE D-WASHER 1" ID
8750006	006-191-00	SPECIAL JAM NUT EZ LUBE (AFTER '02)
8750030	006-190-00	NUT RETAINER EZ LUBE (AFTER '02)
7700090	025-011-00	9/16-18 X 3.06" LONG WHEEL STUD
7700036	006-053-00	9/16"-18 60 DEG CONE NUT
7700088	010-063-00	UNITIZED OIL SEAL 3.376"OD X 2.250"ID (OIL)
7800055	15245	OUTER RACE (PREINSTALLED IN HUBS)
7800027	15123	OUTER BEARING
7700051	046-052-00	OIL FILLER PLUG
7700027	021-001-00	GREASE CAP 2.44"
7700016	021-042-01	GREASE CAP 2.45" EZ LUBE
7700053	085-001-00	RUBBER PLUG EZ LUBE
7700207	010-059-00	O-RING
7700263	021-040-00	OIL CAP
7700052	046-032-00	OIL CAP PLUG
9000562	006-005-00	RIM CLAMP NUT 9/16"-18
7700058	015-002-00	RIM CLAMP 14.5" MH & UTILITY

** Stud length measured under head to end of stud.

*** Hub or Hub-Drum Includes; hub, wheel studs and inner & outer races

*** Complete Hub or Hub-Drum Assembly includes; cupped & studded hub or hub-drum, inner & outer bearings, seal, lugnuts and dust/grease cap

*** For Brakes see Section B.

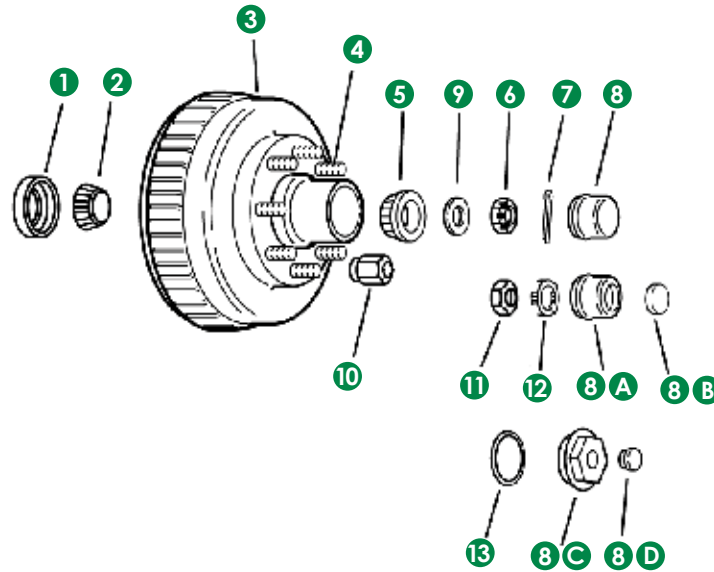
*** AVAILABLE ONLY AS HUB-DRUM.

*** Nev-R-Lube® Spindles are not available for purchase.

See Page C-43 for Spindle Hardware.

Items Available in a Kit. See Page C-16.

DX SPINDLE • 7,200 LB. CAPACITY



DX SPINDLE 7,200 LBS • FITS DX SPINDLE

REF NO.	ITEM NO.	ID NO.	DESCRIPTION	BOLT PATTERN
HUB-DRUM				
3	7650197	008-393-04	HUB-DRUM 9/16" STUDS GREASE LUBE	8 ON 6.50
	7650197-02	008-393-91	COMPLETE HUB-DRUM ASSEMBLY 9/16" STUDS GREASE LUBE	8 ON 6.50
	7650197-03	008-393-90	COMPLETE HUB-DRUM ASSEMBLY 9/16" STUDS EZ-LUBE®	8 ON 6.50
	7650154	008-393-06	HUB-DRUM 5/8" STUDS GREASE LUBE	8 ON 6.50
	7650154-02	008-393-97	COMPLETE HUB-DRUM ASSEMBLY 5/8" STUDS GREASE LUBE	8 ON 6.50
	7650114	008-393-03	HUB-DRUM 9/16" STUDS OIL BATH	8 ON 6.50
	7650119	008-393-05	HUB-DRUM 5/8" STUDS OIL BATH	8 ON 6.50
	7650286	008-395-80	HUB-DRUM 9/16" STUDS NEV-R-LUBE®	8 ON 6.50
COMPONENTS				
1	7700073	010-036-00	DOUBLE LIP SEAL 3.376"OD X 2.250"ID	
	7700088	010-063-00	UNITIZED OIL SEAL 3.376"OD X 2.250"ID	
2	7800026	25580	INNER BEARING	
N/S	7800054	25520	INNER RACE (PREINSTALLED IN HUBS)	
N/S	7800057	02420	OUTER RACE (PREINSTALLED IN HUBS)	
5	7800028	02475	OUTER BEARING	
6	8750001	006-176-00	SPINDLE NUT	
7	8750003	019-002-00	COTTER PIN	
8	7700186	021-039-00	GREASE CAP 2.72"	
8A	7700018	021-043-01	GREASE CAP EZ LUBE 2.72"	
	7700019	021-043-02	GREASE CAP EZ LUBE CHROME 2.72"	
8B	7700053	085-001-00	RUBBER PLUG EZ LUBE	
13	7700055	010-045-00	O'RING (865)	
8C	7700029	021-035-00	OIL CAP (865)	
8D	7700052	046-032-00	OIL CAP PLUG	
	7700051	046-052-00	OIL FILL HOLE PLUG	
9	8750034	005-057-00	SPINDLE D-WASHER 1" ID	
11	8750006	006-191-00	SPECIAL JAM NUT EZ LUBE (AFTER '02)	
12	8750030	006-190-00	NUT RETAINER EZ LUBE (AFTER '02)	
4	7700123	007-223-00	9/16"-18 X 2.01" PRESSED WHEEL STUD	
	7700145	007-224-00	5/8"-18 X 2.50" PRESSED WHEEL STUD	
10	7700036	006-053-00	9/16"-18 60° CONE NUT ZINC PLATED	
	7700048	006-109-00	5/8"-18 90° CONE NUT ZINC PLATED	
	7700034	006-058-00	5/8"-18 FLANGE NUT	

*** Hub-Drum Includes; hub-drum, wheel studs and inner & outer races.

*** Complete Hub-Drum Assembly includes; cupped & studded hub-drum, inner & outer bearings, seal, lugnuts and dust/grease cap.

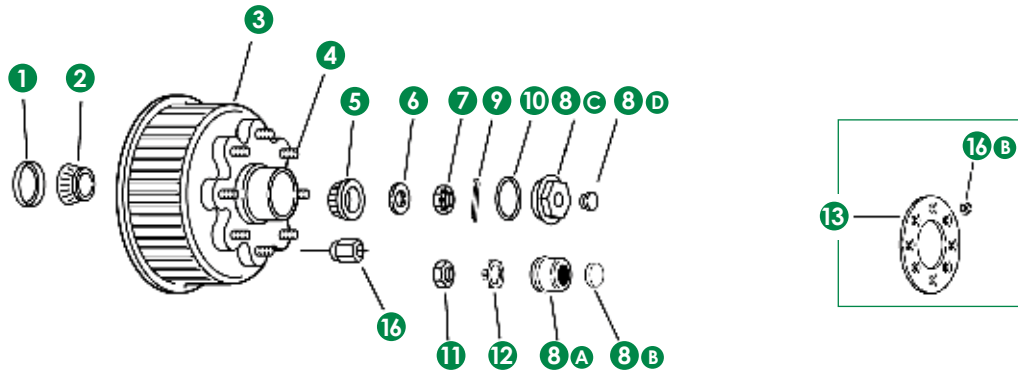
*** For Brakes see Section B.

*** AVAILABLE ONLY AS HUB-DRUM.

Items Available in a Kit. See Page C-20.

N/S = Not Shown

DX SPINDLE • 8,000 LB. CAPACITY =



DX SPINDLE 8,000 LBS • FITS DX SPINDLE				
REF NO.	ITEM NO.	ID NO.	DESCRIPTION	BOLT PATTERN
HUB				
	7650138	008-287-14	HUB ONLY 9/16" STUDS OIL BATH	8 ON 6.50
	7650212	008-287-11	HUB ONLY 9/16" STUDS GREASE LUBE	8 ON 6.50
	7650177	008-287-07	HUB ONLY 5/8" STUDS OIL BATH	8 ON 6.50
HUB-DRUM				
	7650155	008-285-11	HUB-DRUM 9/16" STUDS GREASE LUBE	8 ON 6.50
	7650155-03	008-285-95	COMPLETE HUB-DRUM ASSEMBLY 9/16" STUDS EZ-LUBE®	8 ON 6.50
3	7650053	008-285-09	HUB-DRUM 9/16" STUDS OIL BATH	8 ON 6.50
	7650053-02	008-285-92	COMPLETE HUB-DRUM ASSEMBLY 9/16" STUDS OIL BATH	8 ON 6.50
	7650176	008-285-08	HUB-DRUM 5/8" STUDS GREASE LUBE	8 ON 6.50
	7650176-03	008-285-96	COMPLETE HUB-DRUM ASSEMBLY 5/8" STUDS 6-109 CONE NUT GREASE LUBE	8 ON 6.50
	7650176-04	008-285-97	COMPLETE HUB-DRUM ASSEMBLY 5/8" STUDS 6-58 FLANGE NUT GREASE LUBE	8 ON 6.50
	7650051	008-285-10	HUB-DRUM 5/8" STUDS OIL BATH	8 ON 6.50
	7650051-03	008-285-93	COMPLETE HUB-DRUM ASSEMBLY 5/8" STUDS OIL BATH	8 ON 6.50
	7650194	008-285-12	ABS HUB-DRUM 9/16" STUDS OIL BATH	8 ON 6.50
COMPONENTS				
1	7700073	010-036-00	DOUBLE LIP SEAL 3.376"OD X 2.250"ID	
	7700088	010-063-00	UNITIZED OIL SEAL 3.376"OD X 2.250"ID	
2	7800026	25580	INNER BEARING	
N/S	7800054	25520	INNER RACE (PREINSTALLED IN HUBS)	
5	7800057	02420	OUTER BEARING	
N/S	7800028	02475	OUTER RACE (PREINSTALLED IN HUBS)	
9	8750003	019-002-00	COTTER PIN	
7	8750005	006-001-00	SPINDLE NUT	
10	7700055	010-045-00	O'RING	
8C	7700029	021-035-00	OIL CAP	
8D	7700052	046-032-00	OIL CAP PLUG	
	7700051	046-052-00	OIL FILL HOLE PLUG	
	7700186	021-039-00	GREASE CAP 2.72"	
8A	7700018	021-043-01	GREASE CAP EZ LUBE 2.72"	
	7700019	021-043-02	GREASE CAP EZ LUBE CHROME 2.72"	
8B	7700053	085-001-00	RUBBER PLUG EZ LUBE	
6	8750034	005-057-00	SPINDLE D-WASHER 1" ID	
11	8750006	006-191-00	SPECIAL JAM NUT EZ LUBE (AFTER '02)	
12	8750030	006-190-00	NUT RETAINER EZ LUBE (AFTER '02)	
	7700034	006-058-00	5/8"-18 FLANGE NUT - TORQUE TO 200 LBS. FT.	
4	7700112	007-132-00	9/16"-18 X 2.3 PRESSED WHEEL STUD	
	7700156	007-232-00	5/8"-18 X 2.75 PRESSED WHEEL STUD	
	7700048	006-109-00	5/8"-18 90° CONE NUT*	
16	7700036	006-053-00	9/16"-18 60° CONE NUT	
13	7700033	033-052-01	WHEEL RETAINING RING	

*** Hub or Hub-Drum Includes; hub, wheel studs and inner & outer races.

N/S = Not Shown

*** Complete Hub or Hub-Drum Assembly includes; cupped & studded hub or hub-drum, inner & outer bearings, seal, lugnuts and dust/grease cap.

*** For Brakes see Section B.

* Must use the 7700033 wheel retaining ring when using 7700048 90° cone nut.

Items Available in a Kit. See Page C-20.

HUB-DRUM • 7,200-8,000 LB. CAPACITY ☺

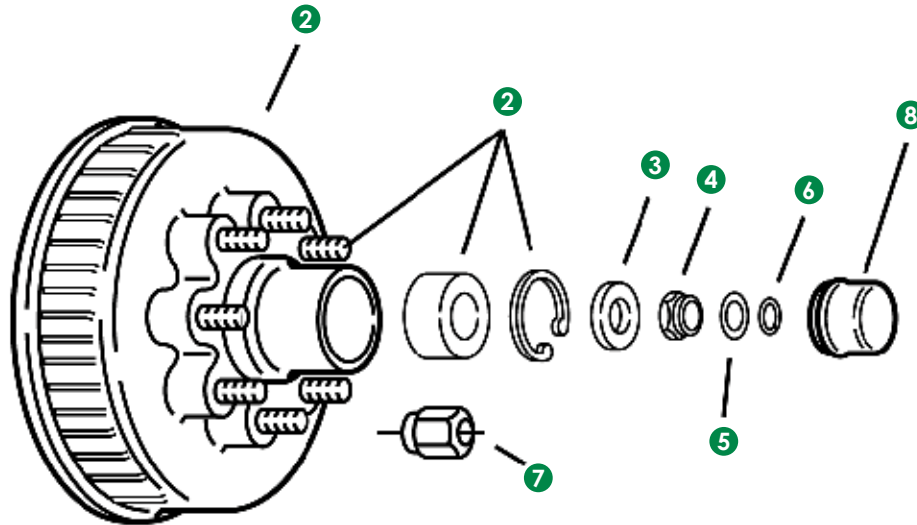


7.2K - 8K HUB-DRUM • FITS 7.2K-8K HUB-DRUM • ACCESSORIES

REF NO.	ITEM NO.	ID NO.	DESCRIPTION	QUANTITY	SPECIFICATIONS	
1	7800094-01	K71-721-00	BEARING KIT #42 SPINDLE 7.2K-8K 1-WHEEL	1-WHEEL		
	7800028	02475	BEARING CONE	1		1.250 I.D.
	7800026	25580	BEARING	1		1.750 I.D.
	7700073	010-036-00	DOUBLE LIP GREASE SEAL EZ LUBE	1	3.376 O.D.	2.250 I.D.
	8750003	019-002-00	1/8" DIAMATER COTTER PIN 1-3/4" LONG	1		
	8750040	005-101-00	TANG WASHER .0036"	1	1.560 O.D.	1.010 I.D.
2	8750103-01	K71-321-00	SPINDLE NUT PACKAGE 1-D WASHER, NUT AND COTTER PIN	1-AXLE		
	8750034	005-057-01	D-WASHER 1"ID X 0.134" HARDENED	2		
	8750001	006-176-00	SPINDLE NUT 1"-14 12-SLOTS	2		
	8750003	019-002-00	COTTER PIN 0.125" DIAMETER X 1.75" LONG	2		
3	7700018-01	K71-319-00	EZ-LUBE CAP STANDARD DRIVE-IN CAP KIT	1-AXLE		2.720 I.D.
	7700018	021-043-01	EZ-LUBE CAP DRIVE-IN	2		
	7700053	085-001-00	RUBBER PLUG FOR EZ-LUBE CAP	2		
4	7700029-01	K71-038-00	DEXTER SCREW-ON OIL CAP KIT WITH O-RING, PLUG & GASKET (2-EACH)	1-AXLE		
	7700029	021-035-00	DEXTER SCREW-ON OIL CAP	2		
	7700055	010-045-00	DEXTER OIL CAP O-RING	2		
	7700052	046-032-00	DEXTER OIL CAP PLUG	2		
5	7700051	046-052-00	OIL FILL HOLE PLUG	1-WHEEL		
6	7700048-01	K71-347-00	WHEEL NUT 90° CONE GRADE 8 ZINC (4-EACH)			
	7700048	006-109-00	WHEEL NUT 90° CONE 9/16"-18 GRADE 8 OEM DEXTER	4		
7	7700088	010-063-00	UNITIZED OIL SEAL	1	3.376 O.D.	2.250 I.D.
8	7700186	021-039-00	DRIVE-IN GREASE CAP NEW STYLE	1	2.720 O.D.	
9	7700034	006-058-00	5/8"-18 FLANGE NUT ZINC	1		
10	7700036	006-053-00	9/16"-18 60° CONE NUT	1		
11	7700123	007-223-00	9/16"-18 X 2.01" PRESS-IN WHEEL STUD	1		
	7700145	007-224-00	5/8"-18 X 2.50" PRESS-IN WHEEL STUD	1		
	7700112	007-132-00	9/16"-18 X 2.30" PRESS-IN WHEEL STUD	1		
14	7700156	007-232-00	5/8"-18 X 2.75" PRESS-IN WHEEL STUD	1		

For Chrome Acorn Capped Type Nuts, see Page C-48.

DX SPINDLE • 8,000 LB. CAPACITY • NEV-R-LUBE



DX SPINDLE 8,000 LBS. • FITS DX NEV-R-LUBE SPINDLE • NEV-R-LUBE

REF NO.	ITEM NO.	ID NO.	DESCRIPTION	BOLT PATTERN
	7650103	008-389-81	NEV-R-LUBE® HUB-DRUM WITH 9/16" STUDS 50MM BEARINGS 8K 4.75 PILOT	6 ON 5.50
	7650103-02	008-389-91	COMPLETE NEV-R-LUBE® HUB-DRUM WITH 9/16" STUDS 50MM BEARINGS 8K 4.75 PILOT	6 ON 5.50
2	7650104	008-389-80	NEV-R-LUBE® HUB-DRUM WITH 5/8" STUDS 50MM BEARINGS 8K 4.75 PILOT	8 ON 6.50
	7650104-02	008-389-90	COMPLETE NEV-R-LUBE® HUB-DRUM WITH 5/8" STUDS 50MM BEARINGS 8K 4.75 PILOT	8 ON 6.50

NEV-R-LUBE® HUB-DRUM

REF NO.	ITEM NO.	ID NO.	DESCRIPTION	REF NO.	ITEM NO.	ID NO.	DESCRIPTION
	7700145	007-224-00	5/8"-18 X 2.5" LONG PRESSED WHEEL STUD	5	7700127	092-002-00	TORQUE INFORMATION DISC 35, 42 & 50MM
	7800067	031-071-03	50MM BEARING CARTRIDGE	6	7700128	069-096-00	SNAP RING
	7800068	069-093-00	50MM BEARING RETAINER	8	7700132	021-086-00	HUB CAP 50MM
	7700123	007-223-00	9/16"-18 X 2.5" LONG PRESSED WHEEL STUD		7700036	006-053-00	9/16"-18 60° CONE NUT ZINC PLATED
3	7700131	005-149-00	SPINDLE WASHER 50MM	7	7700048	006-109-00	5/8"-18 90° CONE NUT ZINC PLATED
4	7700126	006-183-00	SPINDLE NUT				

** Stud length measured under head to end of stud.

*** Hub-Drum Includes; hub-drum, wheel studs and inner & outer races.

*** Complete Hub-Drum Assembly includes; cupped & studded hub-drum, inner & outer bearings, seal, lugnuts and dust/grease cap.

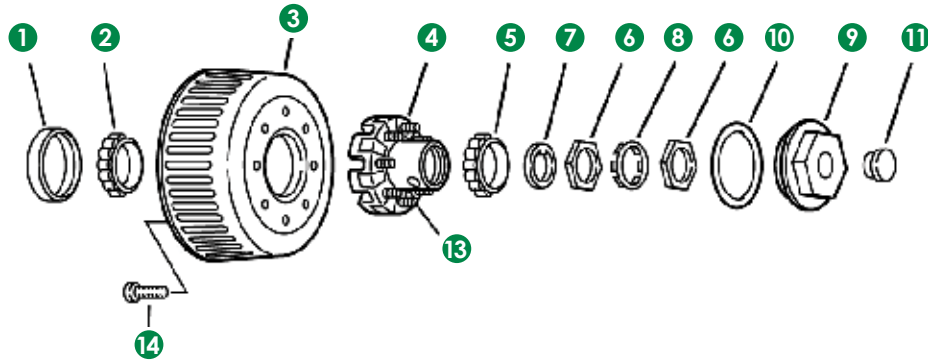
*** For Brakes see Section B.

*** Nev-R-Lube® Spindles are not available for purchase. See Page C-43 for Spindle Hardware.

Items Available in a Kit. See Page C-20.

DX SPINDLE • 8,000 LB. CAPACITY • NEV-R-LUBE

HUB-DRUM • 9,000-10,000 LB. CAPACITY • GENERAL DUTY •



9K - 10K GENERAL DUTY • FITS DX SPINDLE FOR 9K - 10KGD

NEW STYLE MAY 2013 - CURRENT**

REF NO.	ITEM NO.	ID NO.	DESCRIPTION	BOLT CIRCLE
4	7650242	008-430-03	HUB ONLY CUPPED & STUDDED 9K-10K GD	8 ON 6.50
	7650242-02	008-430-94	COMPLETE HUB ASSEMBLY 5/8"-18 STUD OIL 9-10K GD	8 ON 6.50
3	7650243	009-123-01	DRUM ONLY MACHINED 9-10K GD NON-ABS	8 ON 6.50
		009-123-03	DRUM ONLY ABS 9-10K GD	8 ON 6.50
	7650241	008-430-05	HUB-DRUM 5/8"-18 STUD OIL 9-10K GD	8 ON 6.50
A	7650241-02	008-430-90	COMPLETE HUB-DRUM ASSEMBLY 5/8"-18 STUD OIL 9-10K GD	8 ON 6.50

COMPONENTS

1	7700081	010-051-00	UNITIZED OIL SEAL 3.88"OD X 2.875"ID	
2	7800024	387A	INNER BEARING	
14	7700011	007-245-00	1/2"-13 X 1.50" DRUM MOUNTING BOLT - AFTER 4/2013	
N/S	7800052	382A	INNER RACE (PREINSTALLED IN HUBS)	
7	7700107	007-115-00	5/8"-18 X 3.16" PRESS-IN WHEEL STUD	
	7700048	006-109-00	5/8"-18 90° CONE WHEEL NUT	
14	7700034	006-058-00	5/8"-18 FLANGE WHEEL NUT	
15	7700033	033-052-01	WHEEL RETAINING / CLAMP RING	
N/S	7800026	25580	OUTER RACE (PREINSTALLED IN HUBS)	
5	7800054	25520	OUTER BEARING	
16	7700215-01	K71-704-00	OIL CAP KIT (ALSO USED FOR 1-PIECE HD AFTER 7/2009)	1-AXLE
10	7700216	010-163-00	O' RING	
9	7700215	021-088-00	OIL CAP	
11	7700052	046-032-00	OIL CAP PLUG	
17	8750106-01	K71-367-00	SPINDLE NUT PACKAGE	1-AXLE
6	8750007	006-096-00	SPINDLE NUT (2)	
7	8750037	005-070-00	SPINDLE WASHER	
8	8750038	005-071-00	TANG WASHER 1.5"ID X 0.060"	
	7030116	005-008-00	7/16" LOCKWASHER	

*When using 7700048 5/8"-18 90° cone nut, item 7700033 is required as well.

OLD STYLE OCTOBER 1989 - JULY 2009**

REF NO.	ITEM NO.	ID NO.	DESCRIPTION	BOLT CIRCLE
	7650088	008-288-03	HUB ONLY CUPPED & STUDDED 9K-10K GD	8 ON 6.50
	7650088-02	008-288-91	COMPLETE HUB ASSEMBLY 5/8"-18 STUD OIL 9-10K GD	8 ON 6.50
	7650007	009-044-01	DRUM ONLY MACHINED 9-10K GD NON-ABS	8 ON 6.50
	7650108	009-044-03	DRUM ONLY ABS 9-10K GD	8 ON 6.50
	7650057	008-288-05	HUB-DRUM 5/8"-18 STUD OIL 9-10K GD	8 ON 6.50
	7650057-02	008-288-90	COMPLETE HUB-DRUM ASSEMBLY 5/8"-18 STUD OIL 9-10K GD	8 ON 6.50
16	7700030-01	K71-148-00	OLD STYLE OIL CAP KIT	1-AXLE
10	7700054	010-050-00	O' RING	
9	7700030	021-036-00	OIL CAP	
11	7700052	046-032-00	OIL CAP PLUG	

For Chrome Acorn Capped Type Nuts, see Page C-43.

* When using 90° Cone Wheel Nut, item 7700033 Wheel Retaining/Clamp Ring is required.

Alternate fastener is item 7700034 Flange Nut.

** One piece Hub/Drums that were manufactured from August 2009 - May 2013 have been discontinued by Dexter Axle.

*** For Brakes see Section B.

Items Available in a Kit. See Page C-23.

N/S = Not Shown



HUB-DRUM • 9,000-10,000 LB. CAPACITY • GENERAL DUTY

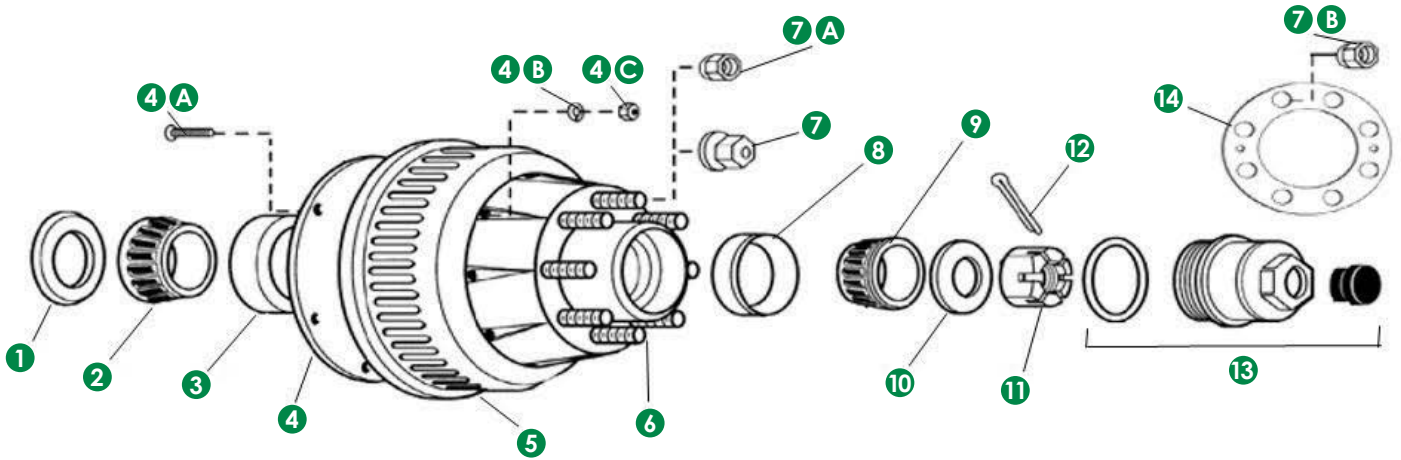


9K - 10K GENERAL DUTY • FITS 9K-10K GENERAL DUTY HUB-DRUM

REF NO.	ITEM NO.	ID NO.	DESCRIPTION	QUANTITY	SPECIFICATIONS	
1	7800095-01	K71-722-00	BEARING KIT DX SPINDLE 9K-10KGD 1-WHEEL	1-WHEEL		
	7800026	25580	BEARING	1		1.750 I.D.
	7800024	387A	BEARING CONE	1		2.250 I.D.
	7700081	010-051-00	9-10KGD UNITIZED OIL SEAL	1	3.880 O.D.	2.875 I.D.
2	8750106-01	K71-367-00	SPINDLE NUT PACKAGE WASHER, 2X NUT AND COTTER PIN	1-AXLE		
	8750007	006-096-00	SPINDLE NUT (2)	2		
	8750037	005-070-00	SPINDLE WASHER	1		
	8750038	005-071-00	TANG WASHER	1	0.060 O.D.	1.500 I.D.
3	7700215-01	K71-704-00	OIL CAP KIT NEW STYLE 9K-10KGD	1-AXLE		
	7700216	010-163-00	O' RING	2		
	7700215	021-088-00	OIL CAP	2		
	7700052	046-032-00	OIL CAP PLUG	2		
4	7700030-01	K71-148-00	OIL CAP KIT OLD STYLE 9K-10KGD	1-AXLE		
	7700054	010-050-00	O' RING	2		
	7700030	021-036-00	OIL CAP	2		
	7700052	046-032-00	OIL CAP PLUG	2		
5	7700051	046-052-00	OIL FILL HOLE PLUG	1-WHEEL		
6	*7700048-01	K71-347-00	WHEEL NUT 90° CONE GRADE 8 ZINC (4-EACH)			
	7700048	006-109-00	WHEEL NUT 90° CONE 5/8"-18 GRADE 8 OEM DEXTER	4		
7	7700081	OB2838051	BLACK UNITIZED ECONOMY OIL SEAL	1	3.880 O.D.	2.875 I.D.
8	7700212-01	K71-387-00	RED UNITIZED OEM DEXTER OIL SEAL	1-AXLE	3.880 O.D.	2.875 I.D.
	7700212	010-051-01	RED UNITIZED OEM DEXTER OIL SEAL	2	3.880 O.D.	2.875 I.D.
	7700034	006-058-00	5/8"-18 FLANGE NUT ZINC	1		
	7700011	007-292-00	DRUM MOUNTING BOLT 1/2"-13 X 1-1/2" LONG GRADE 8	1		
11	7700107-01	K71-342-00	STUD PACKAGE 5/8"-18 X 3.16" PRESS-IN WHEEL STUD			
	7700107	007-115-00	5/8"-18 X 3.16" PRESS-IN WHEEL STUD	4		

*When using 90° Cone Wheel Nut, item 7700033 Wheel Retaining/Clamp Ring is required. Alternate fastener is item 7700034 Flange Nut.

DX-ALKO #99 SPINDLE • 10K LB. CAPACITY • GENERAL DUTY



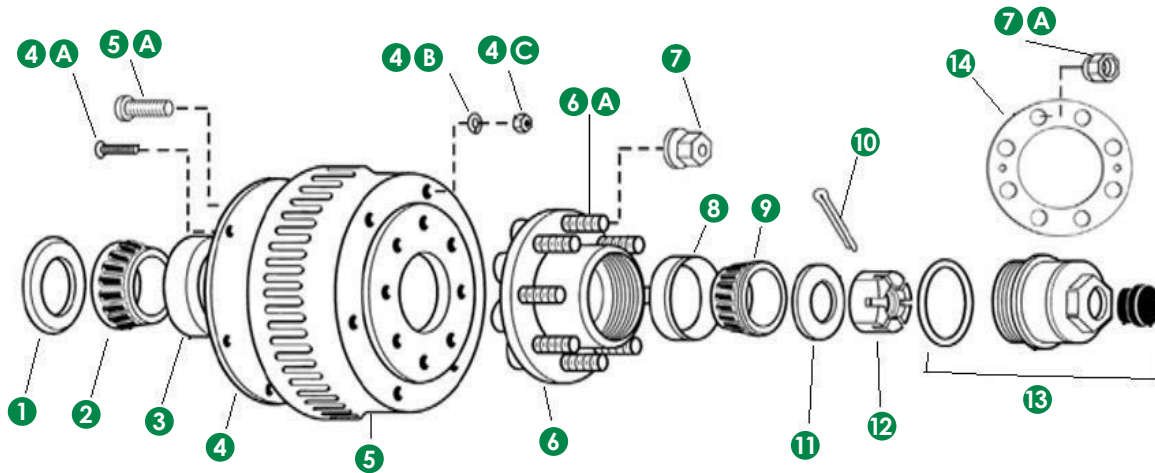
10K GENERAL DUTY • #99 SPINDLE

REF NO.	ITEM NO.	ID NO.	DESCRIPTION	BOLT CIRCLE
1	7700076	568303	OIL SEAL	
2	7800014	28580	INNER BEARING 28580	
3	7800048	28521	INNER RACE 28521	
4	6450016	568261	ARMATURE PLATE	
4A	6450201	568263	FLAT HEAD BOLT, 1/4" - 20	
4B	6450154	568264	LOCK WASHER 1/4"	
4C	6450121	568265	HEX NUT 1/4" - 20	
5*	7650159	568270	HUB & DRUM 4.88 FF PILOT	8 ON 6.50
	7650056	568704	HUB & DRUM (COINED) 4.75 PILOT	8 ON 6.50
6	7700106	363910	WHEEL STUD 5/8" X 3-1/4	
7	7700168	568216	DUAL WHEEL NUT SWIVELING NUT 5/8" - 18	
7A	7700034	568703	DUAL WHEEL NUT FLANGED - COINED	
7B	7700048	363698	SINGLE WHEEL NUT 5/8" - 18 90° CONE	
8	7800054	25520	OUTER BEARING 25520	
9	7800026	25580	OUTER RACE 25580	
10	8750039	568136	SPINDLE WASHER	
11	8750010	568135	SPINDLE NUT	
12	8750002	568137	COTTER PIN	
13	7700023	K568220	OIL CAP ASSEMBLY	
14	7700160	568348	WHEEL CAP RING FOR 5/8" STUDS	

* For use with flat face wheels only.
NOTE: 568353 4.75 FF Pilot Hub-Drum

AL-KO
GENUINE PARTS
By DEXTER

DX-ALKO #120 SPINDLE • 10K-12K LB. CAPACITY • HD



10K - 12K HEAVY DUTY • #120 SPINDLE

REF NO.	ITEM NO.	ID NO.	DESCRIPTION	BOLT CIRCLE
1	7700077	568217	OIL SEAL	
2	7800003	568219	INNER BEARING JM511946	
3	7800039	568267	INNER RACE JM511910	
4	6450016	568261	ARMATURE PLATE	
4A	6450201	568263	FLAT HEAD BOLT, 1/4" - 20	
4B	6450154	568264	LOCK WASHER 1/4"	
4C	6450121	568265	HEX NUT 1/4" - 20	
5	7650003	568699	DRUM ONLY 12.25" X 3.5 LESS ARMATURE PLATE	
5A	7700009	568262	HUB & DRUM MOUNTING BOLT	
6	568215	568215	HUB ASSEMBLY F.F. 5/8" STUD 4.88	8 ON 6.50
	7650196	9089374	HUB ASSEMBLY F.F. 5/8" STUD 4.75	8 ON 6.50
6A	7700106	363910	WHEEL STUD 5/8" X 3-1/4	
7	7700168	568216	DUAL WHEEL NUT SWIVELING NUT 5/8" - 18	
7A	7700048	363698	SINGLE WHEEL NUT 5/8" - 18 90° CONE	
8	7800044	568266	OUTER RACE JM205110	
9	7800009	568218	OUTER BEARING JM205149	
10	8750002	568137	COTTER PIN	
11	8750039	568136	SPINDLE WASHER	
12	8750010	568135	SPINDLE NUT	
13	7700023	K568220	OIL CAP ASSEMBLY	
14	7700160	568348	WHEEL CAP RING FOR 5/8" STUDS	

NOTE: REF NO. 6 - F.F. = Must be used with flat face wheels.

2 YEAR
WARRANTY

WHEEL & HUB ASSEMBLY • 10K LB. HEAVY DUTY

10,000 LB. HEAVY DUTY WHEEL & HUB ASSEMBLY

Unitized Seals internally within the seal, with two sealing lips and press fitted to the spindle for improved performance.

12-1/4" x 4" High Performance Brakes available as Electric, Air & Hydraulic with park features.

Two-piece hub and drum design permits replacement of brake drum without the need to replace hub. Cast brake drum with integral brake armature. Alloy selected for both brake energy (heat) absorption and good magnetic braking characteristics. Finned outer surfaces in braking area for maximum cooling.

Computer Matched Tapered roller bearings.

Hardened spindle washer.

Bearing adjustment nuts with tang locking washer keyed to spindle to maintain precision bearing adjustment.

Removable rubber oil filler plug for ease of maintenance.

Transparent polycarbonate oil cap with oil level indicator mark to allow visual checking for adequate lubricant.

Cast hub with precision machined bearing and wheel mounting surfaces.

Dual and single wheel design.

When using clamp ring and 90° cone wheel nuts, tighten wheel nuts to a torque of 200-Ft Lbs.

Axle designed for oil bath lubrication of bearings with SAE 80W-90 hypoid gear oil. This lubrication method assures long bearing life with proper maintenance of oil level.



WHEEL & HUB ASSEMBLY • 10K LB. HEAVY DUTY

WHEEL & HUB ASSEMBLY • 12K LB. HEAVY DUTY

12,000 LB. HEAVY DUTY WHEEL & HUB ASSEMBLY

Unitized Seals internally within the seal, with two sealing lips and press fitted to the spindle for improved performance.

12-1/4" x 5" High Performance Brakes available as Electric, Air & Hydraulic with park features.

Two-piece hub and drum design permits replacement of brake drum without the need to replace hub. Cast brake drum with integral brake armature. Alloy selected for both brake energy (heat) absorption and good magnetic braking characteristics. Finned outer surfaces in braking area for maximum cooling.

Computer Matched Tapered roller bearings.

Hardened spindle washer.

Bearing adjustment nuts with tang locking washer keyed to spindle to maintain precision bearing adjustment.

Removable rubber oil filler plug for ease of maintenance.

Transparent polycarbonate oil cap with oil level indicator mark to allow visual checking for adequate lubricant.

Cast hub with precision machined bearing and wheel mounting surfaces.

12K Low Profile Hub is available for use with 14.5" Diameter Dual Wheels.*

Tighten wheel nuts to a torque of 200-Ft Lbs.

Axle designed for oil bath lubrication of bearings with SAE 80W-90 hypoid gear oil. This lubrication method assures long bearing life with proper maintenance of oil level.

***NOTE:** 12K High Profile Hub is available for use with 16" and 16.5" Diameter dual wheels and tires, or 17.5" Diameter Single Wheel and Tire.

WHEEL & HUB ASSEMBLY • 15K LB. HEAVY DUTY

15,000 LB. HEAVY DUTY WHEEL & HUB ASSEMBLY

Unitized Seals internally within the seal, with two sealing lips and press fitted to the spindle for improved performance.

12-1/4" x 5" High Performance Brakes available as Electric, Air & Hydraulic with park features and ABS.

Two-piece hub and drum design permits replacement of brake drum without the need to replace hub. Cast brake drum with integral brake armature. Alloy selected for both brake energy (heat) absorption and good magnetic braking characteristics. Finned outer surfaces in braking area for maximum cooling.

Computer Matched Tapered roller bearings.

Hardened spindle washer.

Bearing adjustment nuts with tang locking washer keyed to spindle to maintain precision bearing adjustment.

Removable rubber oil filler plug for ease of maintenance.

Transparent polycarbonate oil cap with oil level indicator mark to allow visual checking for adequate lubricant.

Cast hub with precision machined bearing and wheel mounting surfaces.

Tighten wheel nuts to a torque of 450-500 Ft Lbs.

When using clamp ring and 90° cone wheel nuts, tighten wheel nuts to a torque of 200-Ft Lbs.

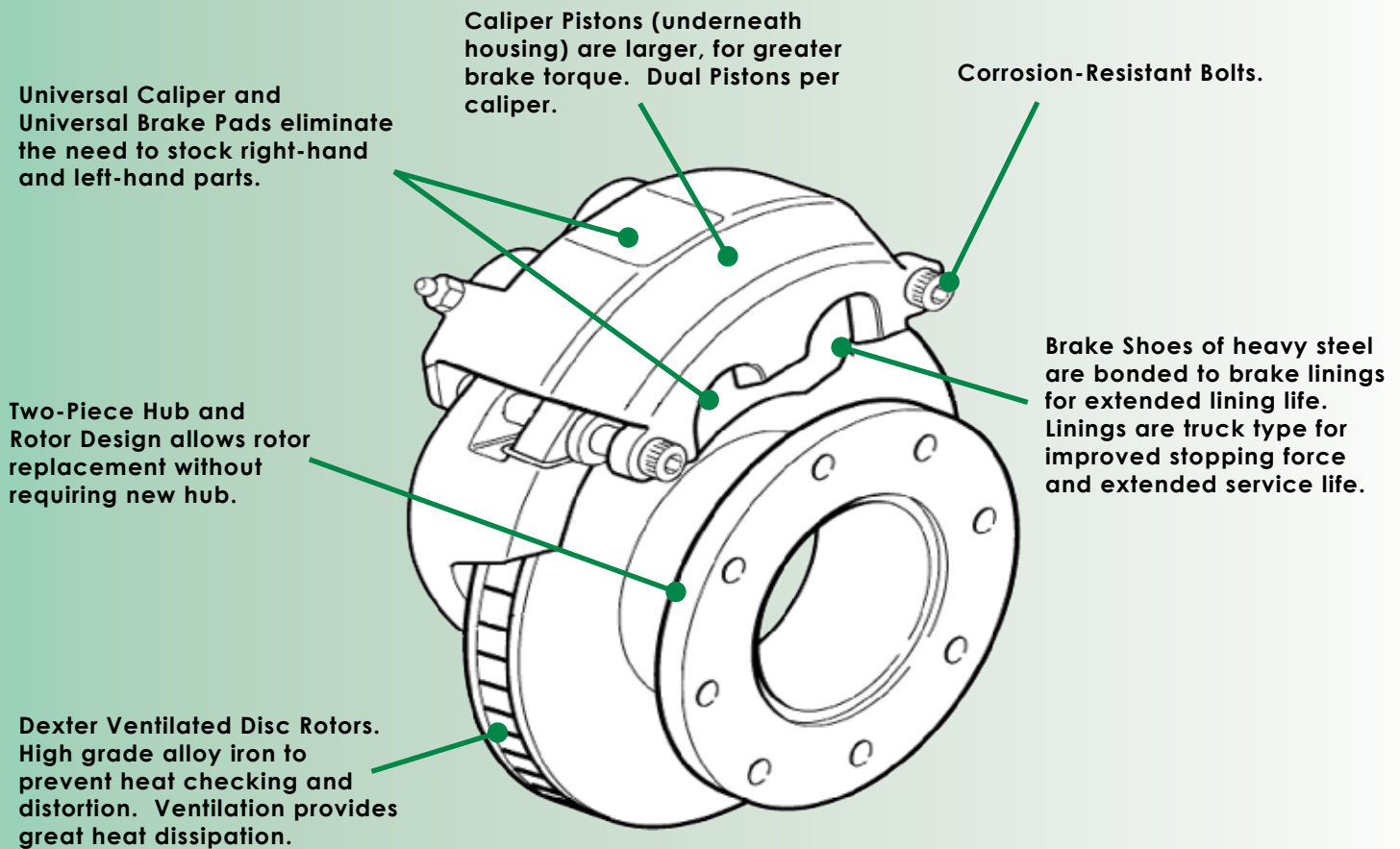
Axle designed for oil bath lubrication of bearings with SAE 80W-90 hypoid gear oil. This lubrication method assures long bearing life with proper maintenance of oil level.



WHEEL & HUB ASSEMBLY • 15K LB. HEAVY DUTY

HUB & ROTOR • 10K-12K LB. HEAVY DUTY

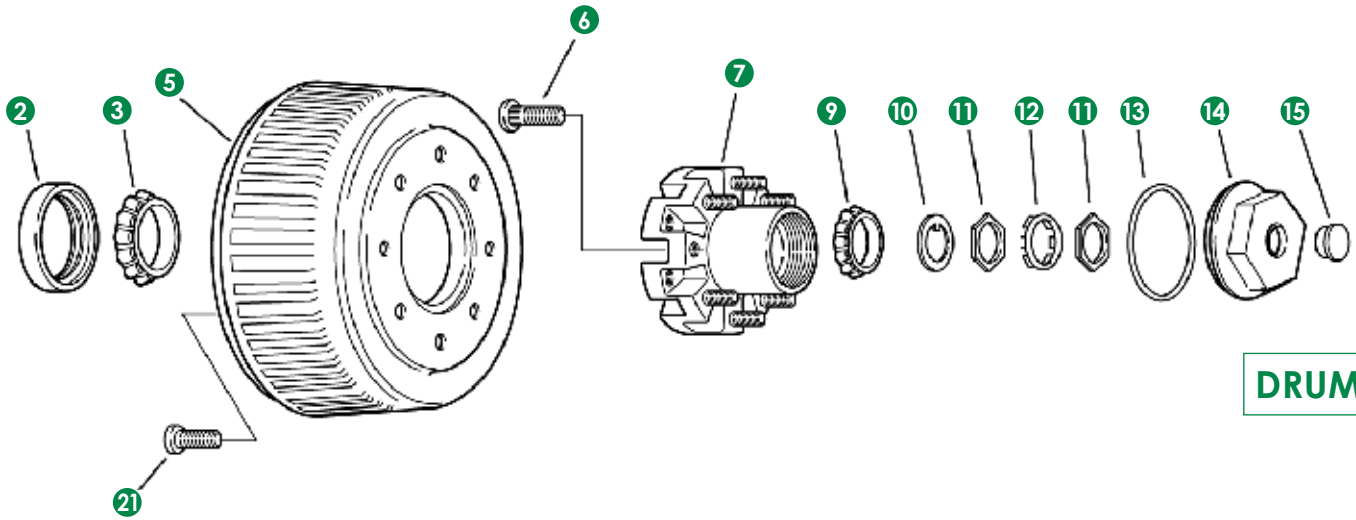
10K - 12K HEAVY DUTY



HUB & ROTOR • 10K-12K LB. HEAVY DUTY



HUBS & HUBS-DRUMS • 10K - 15K HEAVY DUTY



DRUM

10K - 15K HEAVY DUTY HUB, HUB-DRUM - SPRUNG AND TORSION AXLES

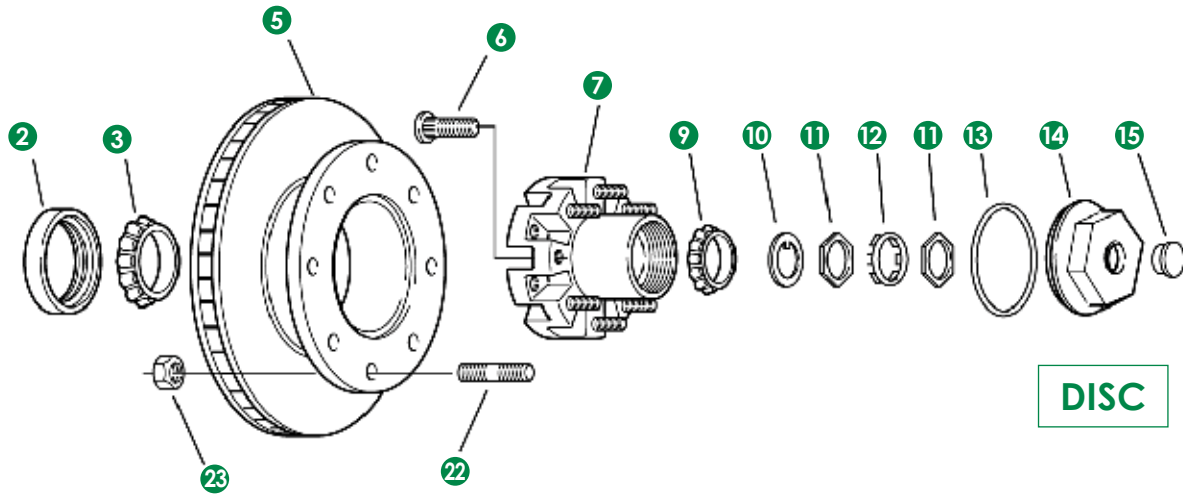
REF NO.	ITEM NO.	ID NO.	DESCRIPTION	10KHD	#13D 10KHD	12KHD LP	12KHD HP	#14 12KHD	15KHD
2	7700077	010-056-00	UNITIZED OIL SEAL 4.50"OD X 3.125"ID	X	X	X	X	X	X
3	7800040	395S	INNER BEARING	X	X				
	7800004	3984	INNER BEARING			X	X	X	X
N/S	7800005	394A	INNER RACE (PREINSTALLED IN HUBS)	X	X				
N/S	7800042	3920	INNER RACE (PREINSTALLED IN HUBS)			X	X	X	X
21	7700010	007-244-00	DRUM MOUNTING BOLT	X	X	X	X		X
5	7650004	009-027-01	BRAKE DRUM	X	X				
7	7650064	008-214-05	HUBS WITH CUPS & STUDS	X	X				
	7650005	009-028-01	BRAKE DRUM			X	X	X	X
	7650066	008-214-08	HUBS WITH CUPS & STUDS				X		
6	7700107	007-115-00	WHEEL MOUNTING STUD	X	X	X	X	X	X
	7700171	007-194-00	STEEL WHEEL MOUNTING STUD						X
	7700184	007-195-00	ALUMINUM WHEEL MOUNTING STUD						X
N/S	7800052	382A	OUTER RACE (PREINSTALLED IN HUBS)	X	X				
N/S	7800025	28682	OUTER RACE (PREINSTALLED IN HUBS)			X	X	X	X
9	7800024	387A	OUTER BEARING	X	X				
	7800053	28622	OUTER BEARING			X	X	X	X
13	7700054	010-050-00	OIL CAP O' RING	X	X	X	X	X	X
14	7700030	021-036-00	OIL CAP	X	X	X	X	X	X
15	7700052	046-032-00	OIL CAP PLUG	X	X	X	X	X	X
10	8750042	005-060-00	SPINDLE WASHER 1.75"ID	X	X	X	X	X	X
11	8750008	006-084-00	SPINDLE NUT 1.75"-12	X	X	X	X	X	X
12	8750041	005-059-00	TANG WASHER 1.75"ID X .060"	X	X	X	X	X	X
	7700033	033-052-01	WHEEL CLAMP RING	X	X	X	X	X	
	7700048*	006-109-00	WHEEL NUT - 90° CONE 5/8"	X	X	X	X	X	
	7700168	006-209-00	FLANGE NUT (SWIVEL) 5/8"	X	X	X	X		
	7650064-02	008-214-92	HUB COMPLETE	X	X				
	7650026	009-027-03	BRAKE DRUM - ABS	X	X				
	7650028	009-028-05	BRAKE DRUM			X	X	X	X
	7650068	008-216-08	HUBS WITH CUPS & STUDS			X			
	7650068-02	008-216-97	HUB COMPLETE			X			
	7650066-02	008-214-96	HUB COMPLETE				X		
	7650066-03	008-214-95	HUB COMPLETE				X		
	7650333	008-422-03	HUB WITH CUPS & STUDS					X	
	7700011	007-292-00	DRUM MOUNTING SCREW					X	
	7700172	006-118-00	FLANGE NUT (SWIVEL)						X

***For Brakes see Section B. * When using 7700048 90° 5/8" wheel nut, 7700033 is required.

N/S = Not Shown

Items Available in a Kit. See Page C-32.

HUBS & HUBS-ROTOR • 10K - 12K HEAVY DUTY



10K - 12K HEAVY DUTY DISC HUB & ROTOR - SPRUNG & TORSION AXLES							
REF NO.	ITEM NO.	ID NO.	DESCRIPTION	10KHD	#13D 10KHD	12KHD	#14 12KHD
2	7700077	010-056-00	UNITIZED OIL SEAL 4.50"OD X 3.125"ID	X	X	X	X
3	7800040	395S	INNER BEARING	X	X		
	7800004	3984	INNER BEARING			X	X
N/S	7800005	394A	INNER RACE (PREINSTALLED IN HUBS)	X	X		
N/S	7800042	3920	INNER RACE (PREINSTALLED IN HUBS)			X	X
5	6450199	070-006-01	BRAKE DRUM ROTOR	X	X	X	
23	9000137	006-046-00	ROTOR MOUNTING NUT	X	X	X	
22	6450242	025-014-00	ROTOR MOUNTING BOLT	X	X	X	
7	7650132	008-214-06	HUBS WITH CUPS & STUDS	X	X		
	7650067	008-214-10	HUBS WITH CUPS & STUDS			X	
6	7700107	007-115-00	WHEEL MOUNTING STUD	X	X	X	X
N/S	7800052	382A	OUTER RACE (PREINSTALLED IN HUBS)	X	X		
N/S	7800025	28682	OUTER RACE (PREINSTALLED IN HUBS)			X	X
9	7800024	387A	OUTER BEARING	X	X		
	7800053	28622	OUTER BEARING			X	X
13	7700054	010-050-00	OIL CAP O' RING	X	X	X	X
14	7700030	021-036-00	OIL CAP	X	X	X	X
15	7700052	046-032-00	OIL CAP PLUG	X	X	X	X
10	8750042	005-060-00	SPINDLE WASHER 1.75"ID	X	X	X	X
11	8750008	006-084-00	SPINDLE NUT 1.75"-12	X	X	X	X
12	8750041	005-059-00	TANG WASHER 1.75"ID X .060"	X	X	X	X
	7700033	033-052-01	WHEEL CLAMP RING	X	X	X	X
	7700048	006-109-00	WHEEL NUT - 90° CONE 5/8"	X	X	X	X
	6450299	070-006-02	BRAKE DRUM ROTOR - ABS	X	X	X	
	7650332	008-422-04	HUB WITH CUPS & STUDS				X
	6450619	070-010-01	BRAKE DRUM ROTOR				X
	7700011	007-292-00	DISC MOUNTING SCREW				X

***For Brakes see Section B.

N/S = Not Shown

Items Available in a Kit. See Page C-32..

HUBS & HUBS-ROTOR • 10K-12K HEAVY DUTY

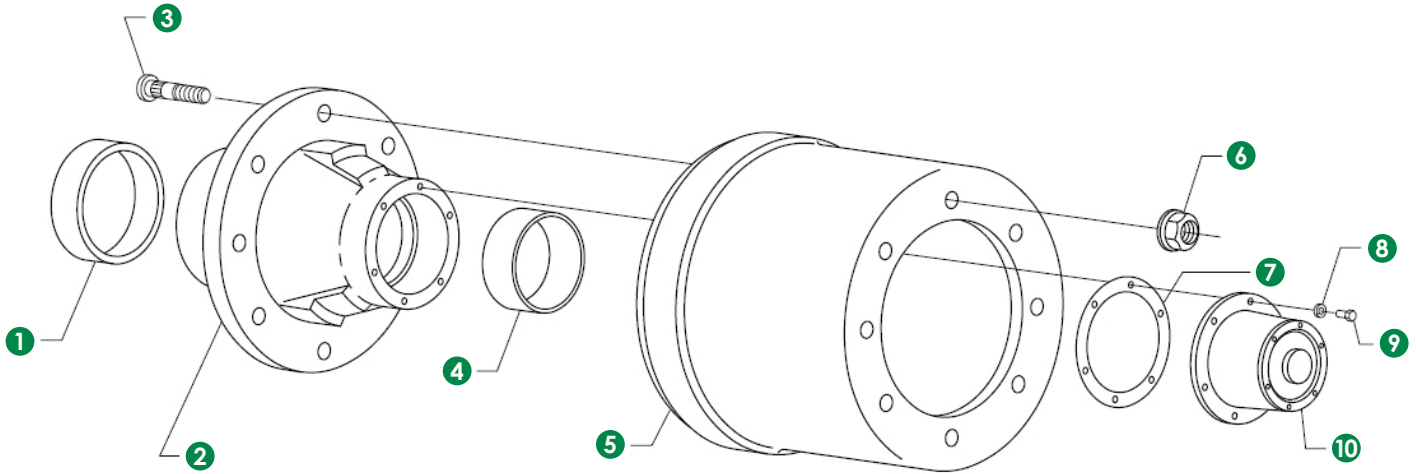
HUBS & HUBS-DRUMS • 10K - 15K HD ACCESSORIES



10K - 15K HEAVY DUTY • FITS 10K-15K HEAVY DUTY HUB-DRUM

REF NO.	ITEM NO.	ID NO.	DESCRIPTION	QUANTITY	SPECIFICATIONS
1	7700030-01	K71-148-00	OIL CAP KIT 10K-15K	1-AXLE	
	7700054	010-050-00	O-RING FOR OIL CAP	2	
	7700030	021-036-00	OIL CAP	2	
	7700052	046-032-00	PLUG FOR OIL CAP	2	
2	7800040	395S	INNER BEARING	1	10K
	7800004	3984	INNER BEARING	1	12K-15K
	7800005	394A	INNER RACE (PREINSTALLED IN HUBS)	1	10K
	7800042	3920	INNER RACE (PREINSTALLED IN HUBS)	1	12K-15K
	7800052	382A	OUTER RACE (PREINSTALLED IN HUBS)	1	10K
	7800025	28682	OUTER RACE (PREINSTALLED IN HUBS)	1	12K-15K
	7800024	387A	OUTER BEARING	1	10K
	7800053	28622	OUTER BEARING	1	12K-15K
3	7700077	010-056-00	UNITIZED OIL SEAL 10K-15K	1	3.125"ID X 4.500"OD
4	7700168	006-209-00	FLANGE NUT 5/8"-18"	1	10K, TF13 & 12K DRUM
5	7700171	007-194-00	STEEL WHEEL MOUNTING STUD M22 X 1.50 X 3.94" LONG	1	10K-15K DRUM BRAKE
	7700184	007-195-00	ALUMINUM WHEEL MOUNTING STUD M22 X 1.50 X 4.79" LONG	1	15K DRUM BRAKE
6	7700107-01	K71-342-00	WHEEL MOUNTING STUD KIT	1	10K-15K
	7700107	007-115-00	WHEEL MOUNTING STUD 5/8"-18 X 3.16" LONG GRADE 8	4	
7	8750107-01	K71-341-00	SPINDLE NUT PACKAGE TANG / WASHER & NUT	1-WHEEL	10K-15K
	8750041	005-059-00	TANG WASHER	2	1.75ID X 0.060
	8750008	006-084-00	SPINDLE NUT	1	1.75"-12
	8750042	005-060-00	TONGUE WASHER	1	1.75ID X 0.134
8	9000137	006-046-00	ROTOR MOUNTING NUT 1/2"-20 FLANGE NUT	1	10K, TF13 & 12K DISC
9	6450242	025-014-00	ROTOR MOUNTING BOLT 1/2" X 2.53" L - FINE TO COARSE THREAD	1	10K, TF13 & 12K DISC
10	7700011	007-292-00	BRAKE MOUNTING BOLT 1/2"-13 X 1.50 GRADE 8	1	15K DISC / TF14 12K DRUM
11	7700172	006-118-00	FLANGE NUT M22 X 1.5	1	15K DRUM BRAKE
12	7700048-01	K71-347-00	90° CONE NUT KIT 5/8"-18 DEXTER OEM GRADE 8	1-PACKAGE	10K - 12K
	7700048	006-109-00	90° CONE NUT 5/8"-18 GRADE 8	4	
13	7700033	033-052-01	WHEEL RETAINING RING FOR USE WITH 7700048 90° CONE NUTS	1	10K - 12K

HUBS & HUBS-DRUMS • 22.5K - 27.5K HD



• For use with 17.5" or 19.5" 221mm Piloted Wheels

22.5K - 27.5K HEAVY DUTY 8 STUDS ON 275MM (10.827 INCHES) HUB PILOTED WITH OUTBOARD DRUM FOR 12-1/4" X 7-1/2" AIR BRAKE ASSEMBLY

REF NO.	ITEM NO.	ID NO.	DESCRIPTION	BOLT CIRCLE
1	7800031	HM218248	INNER BEARING	
2	7650218	008-396-05	STEEL WHEEL HUB ASSEMBLY	8 ON 275MM
3	7700171	007-194-00	PRESS-IN STUD M22 X 1.5 X 3.94" LONG	
4	7800030	HM212049	OUTER BEARING	
5	7650209	009-116-01	12-1/4" X 7-1/2" DRUM	8 ON 275MM
6	7700172	006-118-00	SWIVEL FLANGE NUT	
7	7700035	071-124-00	OIL CAP GASKET	
8	7700177	005-100-00	OIL CAP LOCK WASHER 5/16"	
9	7700146	007-157-00	OIL CAP HEX SCREW 5/16"-18 X 0.75	
10	7700178	021-038-02	OIL CAP	
	7650254	008-396-07	ABS STEEL WHEEL HUB ASSY	8 ON 275MM
	7800074	HM218210	INNER RACE (PREINSTALLED IN HUBS)	
	7800075	HM212011	OUTER RACE (PREINSTALLED IN HUBS)	
	024-200-01		ABS TONE RING	

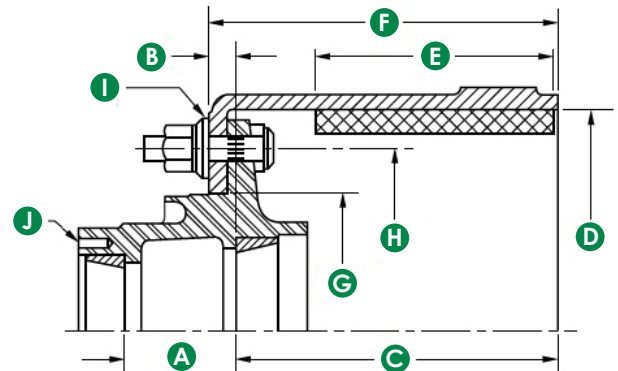
NOTE: Available as 3-Spoke Cast Wheel & Drum Assembly for use with 15" or 17.5" Demountable Rims.

HUB & DRUM DIMENSIONAL INFORMATION

REF NO.	DIMENSION	DESCRIPTION
A	3.34"	CUP TO CUP
B	0.75"	CUP TO MOUNTING FACE
C	10.43"	CUP TO END OF DRUM
D	12.25"	BRAKE DIAMETER
E	7.50"	SHOE BRAKE WIDTH
F	11.22"	DRUM OVERALL WIDTH
G	9.00"	PILOT DIAMETER (DRUM)
H	10.827"	BOLT CIRCLE 275MM
I	M22 X 1.5	BOLT DIAMETER
J	0.313"	HUB CAP HOLE MOUNTING 6 HOLES 5.50 BC
	1.575"	INNER BEARING CUP AND CONE OVERALL STACK THICKNESS

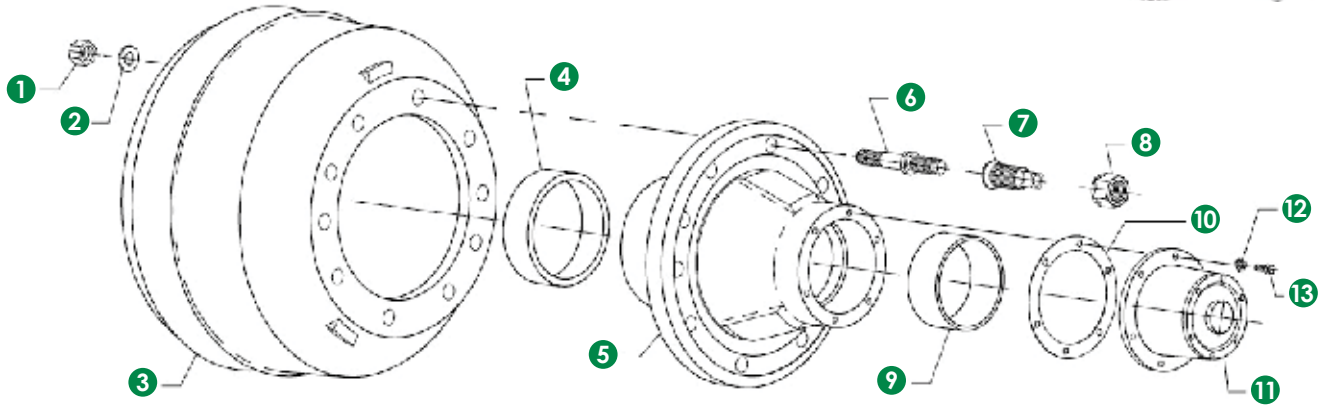
***For Brakes see Section B.

Items Available in a Kit. See Page C-38.



HUBS & HUBS-DRUMS • 22.5K-27.5K HD

HUBS & HUBS-DRUMS • 22.5K - 27.5K HD



•For use with 15" or 17.5" ball seat mounted Steel Disc Wheels

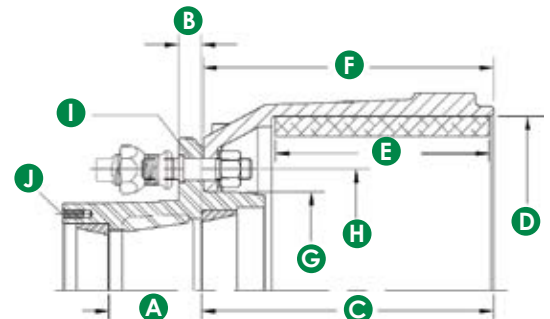
22.5K - 27.5K HEAVY DUTY 10 STUDS ON 8-3/4" HUB WITH INBOARD DRUM FOR 12-1/4" X 7-1/2" AIR BRAKE ASSEMBLY

REF NO.	ITEM NO.	ID NO.	DESCRIPTION	BOLT CIRCLE
1	9000139	006-047-00	3/4"-16 LOCKNUT	
2	7030108	005-102-00	WASHER FLAT 3/4"	
3	7650006	009-040-01	12-1/4" X 7-1/2" DRUM	10 ON 8.75
4	7800074	HM218210	INNER RACE (PREINSTALLED IN HUBS)	
	7800031	HM218248	INNER BEARING	
5	7650183	008-277-04	LEFT HAND HUB 10 STUDS ON 8.75 BOLT CIRCLE	10 ON 8.75
	7650184	008-277-05	RIGHT HAND HUB 10 STUDS ON 8.75 BOLT CIRCLE	10 ON 8.75
	7650500	008-277-23	LEFT HAND HUB 10 STUDS ON 8.75 BOLT CIRCLE ABS	10 ON 8.75
	7650501	008-277-22	RIGHT HAND HUB 10 STUDS ON 8.75 BOLT CIRCLE ABS	10 ON 8.75
6	7700149	025-056-02	LEFT HAND SHOULDER STUD	
	7700148	025-056-01	RIGHT HAND SHOULDER STUD	
7	7700046	006-069-02	LEFT HAND 3/4"-16 X 1-1/8"-16 INNER DUAL WHEEL NUT	
	7700047	006-069-01	RIGHT HAND 3/4"-16 X 1-1/8"-16 INNER DUAL WHEEL NUT	
8	7700041	006-070-02	LEFT HAND 1-1/8"-16 OUTER DUAL WHEEL NUT	
	7700042	006-070-01	RIGHT HAND 1-1/8"-16 OUTER DUAL WHEEL NUT	
9	7800075	HM212011	OUTER RACE (PREINSTALLED IN HUBS)	
	7800030	HM212049	OUTER BEARING	
10	7700035	071-124-00	OIL CAP GASKET	
11	7700178	021-038-02	OIL CAP	
12	7700177	005-100-00	OIL CAP LOCK WASHER 5/16"	
13	7700146	007-157-00	OIL CAP HEX SCREW 5/16"-18 X 0.75	
		024-200-01	ABS TONE RING	

NOTE: Available as 3-Spoke Cast Wheel & Drum Assembly for use with 15" or 17.5" Demountable Rims.

HUB & DRUM DIMENSIONAL INFORMATION

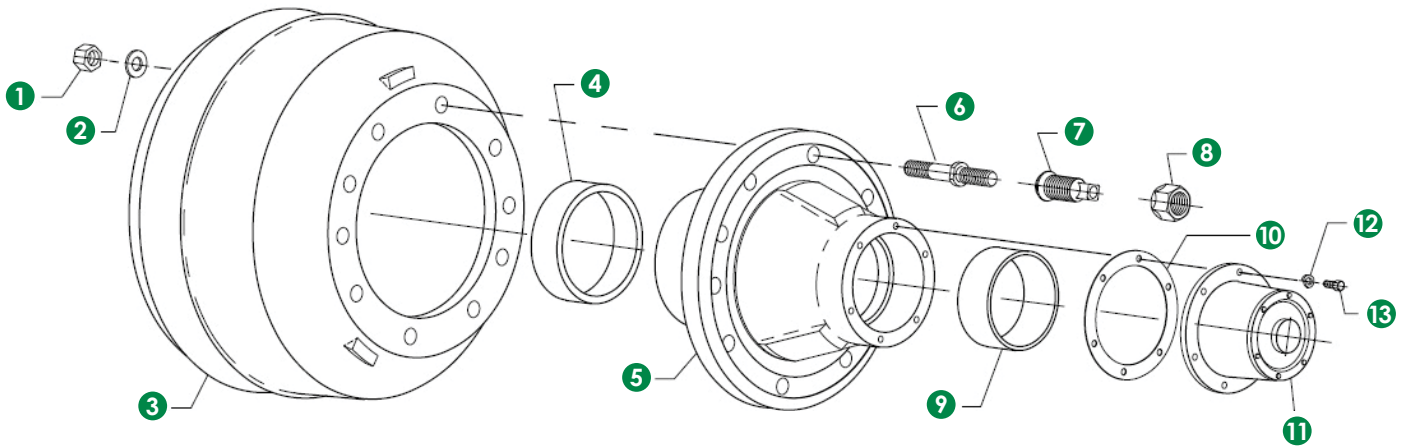
REF NO.	DIMENSION	DESCRIPTION
A	3.34"	CUP TO CUP
B	0.81"	CUP TO MOUNTING FACE
C	10.57"	CUP TO END OF DRUM
D	12.25"	BRAKE DIAMETER
E	7.50"	SHOE BRAKE WIDTH
F	10.50"	DRUM OVERALL WIDTH
G	7.12"	PILOT DIAMETER
H	8.75"	BOLT CIRCLE
I	0.75"	BOLT DIAMETER
J	0.313"	HUB CAP HOLE MOUNTING 6 HOLES 5.50 BC
	1.575"	INNER BEARING CUP AND CONE OVERALL STACK THICKNESS



***For Brakes see Section B.

Items Available in a Kit. See Page C-38.

HUBS & HUBS-DRUMS • 22.5K - 27.5K HD



•For use with 20", 22.5" or 24.5" ball seat mounted Steel Disc Wheels

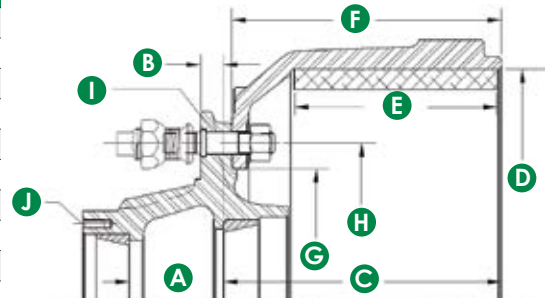
22.5K - 27.5K HEAVY DUTY 10 STUDS ON 11-1/4" HUB WITH INBOARD DRUM FOR 16-1/2" X 7" AIR BRAKE ASSEMBLY

REF NO.	ITEM NO.	ID NO.	DESCRIPTION	BOLT CIRCLE
1	9000139	006-047-00	3/4"-16 LOCKNUT	
2	7030108	005-102-00	WASHER FLAT 3/4"	
3	7650280	009-042-01	16-1/2" X 7" DRUM	10 ON 11.25
	7800031	HM218248	INNER BEARING	
4	7800074	HM218210	INNER RACE (PREINSTALLED IN HUBS)	
5		008-279-71	LEFT HAND HUB 10 11.25 BC FOR USE WITH BALL SEAT MOUNTING STEEL WHEELS	10 ON 11.25
		008-279-70	RIGHT HAND HUB 10 11.25 BC FOR USE WITH BALL SEAT MOUNTING STEEL WHEELS	10 ON 11.25
		008-279-04	LEFT HAND HUB 10 11.25 BC	10 ON 11.25
		008-279-05	RIGHT HAND HUB 10 11.25 BC	10 ON 11.25
6	7700149	025-056-02	LEFT HAND SHOULDER STUD	
	7700148	025-056-01	RIGHT HAND SHOULDER STUD	
7	7700046	006-069-02	LEFT HAND 3/4"-16 X 1-1/8"-16 INNER DUAL WHEEL NUT FOR STEEL WHEELS	
	7700047	006-069-01	RIGHT HAND 3/4"-16 X 1-1/8"-16 INNER DUAL WHEEL NUT FOR STEEL WHEELS	
8	7700041	006-070-02	LEFT HAND 1-1/8"-16 OUTER DUAL WHEEL NUT	
	7700042	006-070-01	RIGHT HAND 1-1/8"-16 OUTER DUAL WHEEL NUT	
9	7800075	HM212011	OUTER RACE (PREINSTALLED IN HUBS)	
	7800030	HM212049	OUTER BEARING	
10	7700035	071-124-00	OIL CAP GASKET	
11	7700178	021-038-02	OIL CAP	
12	7700177	005-100-00	OIL CAP LOCK WASHER 5/16"	
13	7700146	007-157-00	OIL CAP HEX SCREW 5/16"-18 X 0.75	
		024-200-01	ABS TONE RING	

NOTE: Available as 5-Spoke Cast Wheel & Drum Assembly for use with 20" or 22.5" Demountable Rims.

HUB & DRUM DIMENSIONAL INFORMATION

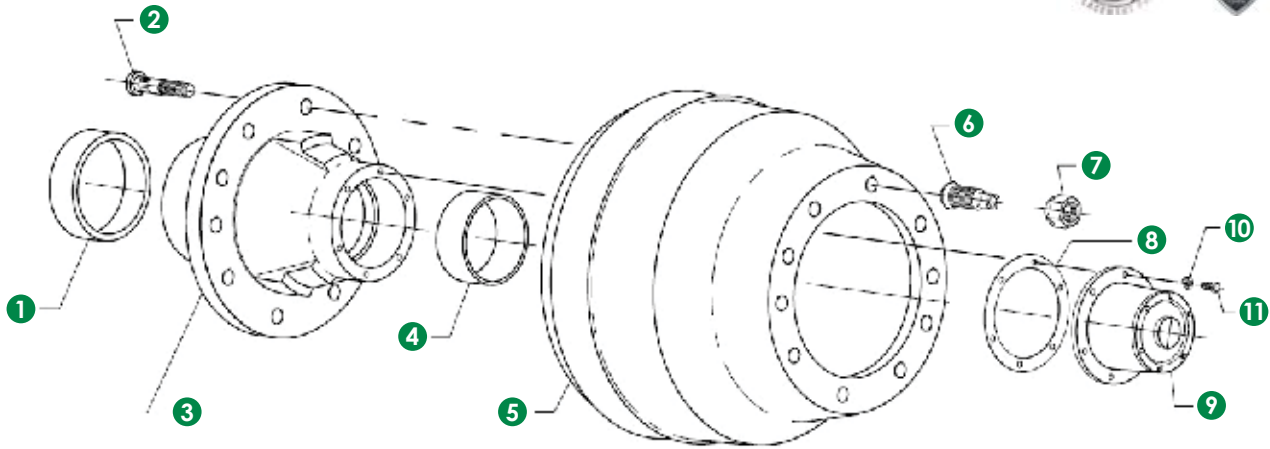
REF NO.	DIMENSION	DESCRIPTION
A	3.34"	CUP TO CUP
B	0.81"	CUP TO MOUNTING FACE
C	9.89"	CUP TO END OF DRUM
D	16.50"	BRAKE DIAMETER
E	7.00"	SHOE BRAKE WIDTH
F	9.58"	DRUM OVERALL WIDTH
G	9.44"	PILOT DIAMETER
H	11.25"	BOLT CIRCLE
I	0.75"	BOLT DIAMETER
J	0.313"	HUB CAP HOLE MOUNTING 6 HOLES 5.50 BC
	1.575"	INNER BEARING CUP AND CONE OVERALL STACK THICKNESS



***For Brakes see Section B.

Items Available in a Kit. See Page C-38.

HUBS & HUBS-DRUMS • 22.5K - 27.5K HD



•For use with 20", 22.5" or 24.5" ball seat mounted Steel Disc Wheels

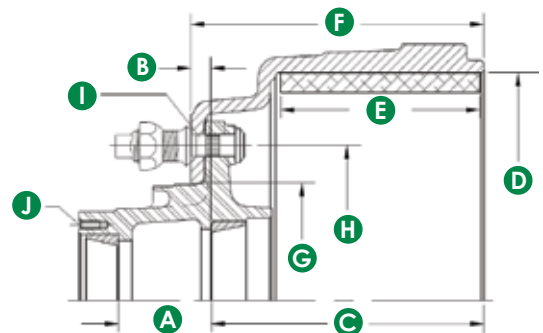
22.5K - 27.5K HEAVY DUTY 10 STUDS ON 11-1/4" HUB WITH OUTBOARD DRUM FOR 16-1/2" X 7" AIR BRAKE ASSEMBLY

REF NO.	ITEM NO.	ID NO.	DESCRIPTION	BOLT CIRCLE
1	7800031	HM218248	INNER BEARING	
1	7800074	HM218210	INNER RACE (PREINSTALLED IN HUBS)	
2		007-242-01	LEFT HAND PRESS-IN STUD 1.38" STAND-OUT	
2		007-242-00	RIGHT HAND PRESS-IN STUD 1.38" STAND-OUT	
3		008-290-68	LEFT HAND WHEEL HUB ASSY	10 ON 11.25
3		008-290-67	RIGHT HAND WHEEL HUB ASSY	10 ON 11.25
3		008-290-70	LEFT HAND ABS WHEEL HUB ASSY	10 ON 11.25
3		008-290-69	RIGHT HAND ABS WHEEL HUB ASSY	10 ON 11.25
4	7800075	HM212011	OUTER RACE (PREINSTALLED IN HUBS)	
4	7800030	HM212049	OUTER BEARING	
5	7650219	009-043-03	16-1/2" X 7" DRUM	10 ON 11.25
6	7700047	006-069-01	RIGHT HAND 3/4"-16 X 1-1/8"-16 INNER DUAL WHEEL NUT	
6	7700046	006-069-02	LEFT HAND 3/4"-16 X 1-1/8"-16 INNER DUAL WHEEL NUT	
7	7700042	006-070-01	RIGHT HAND 1-1/8"-16 OUTER DUAL WHEEL NUT (FOR STEEL DISC WHEELS)	
7	7700041	006-070-02	LEFT HAND 1-1/8"-16 OUTER DUAL WHEEL NUT (FOR STEEL DISC WHEELS)	
7		006-124-02	RIGHT HAND 1-1/8"-16 OUTER DUAL WHEEL NUT (FOR ALUMINUM DISC WHEELS)	
7		006-124-01	LEFT HAND 1-1/8"-16 OUTER DUAL WHEEL NUT (FOR ALUMINUM DISC WHEELS)	
8	7700035	071-124-00	OIL CAP GASKET	
9	7700178	021-038-02	OIL CAP	
10	7700177	005-100-00	OIL CAP LOCK WASHER 5/16"	
11	7700146	007-157-00	OIL CAP HEX SCREW 5/16"-18 X 0.75	
		024-200-01	ABS TONE RING	

NOTE: Available as 5-Spoke Cast Wheel & Drum Assembly for use with 20" or 22.5" Demountable Rims.

HUB & DRUM DIMENSIONAL INFORMATION

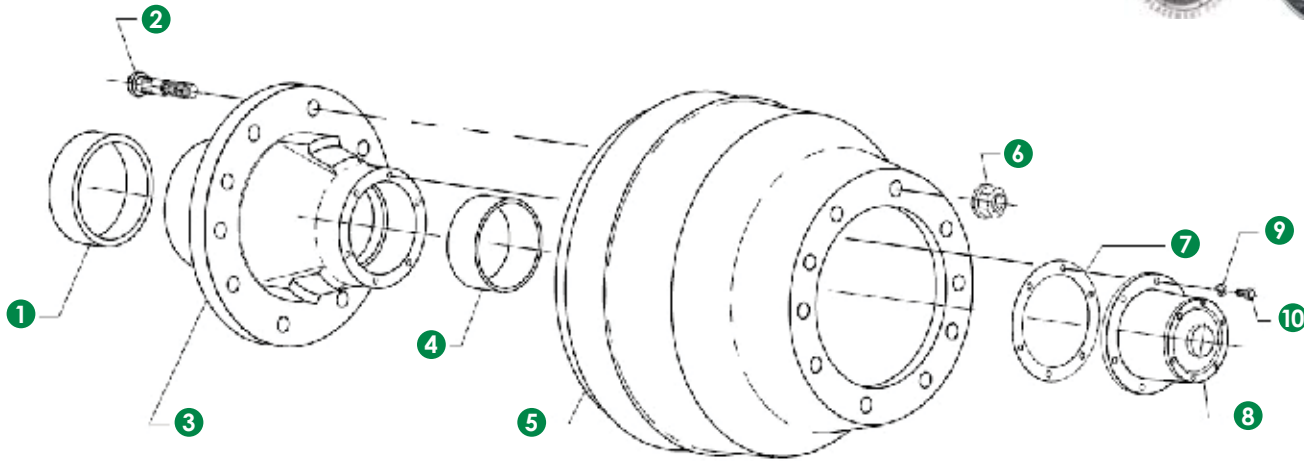
REF NO.	DIMENSION	DESCRIPTION
A	3.34"	CUP TO CUP
B	0.73"	CUP TO MOUNTING FACE
C	9.87"	CUP TO END OF DRUM
D	16.50"	BRAKE DIAMETER
E	7.00"	SHOE BRAKE WIDTH
F	10.60"	DRUM OVERALL WIDTH
G	8.78"	PILOT DIAMETER (DRUM)
H	11.25"	BOLT CIRCLE 275MM
I	0.75"	BOLT DIAMETER
J	0.313"	HUB CAP HOLE MOUNTING 6 HOLES 5.50 BC
	1.575"	INNER BEARING CUP AND CONE OVERALL STACK THICKNESS



***For Brakes see Section B.

Items Available in a Kit. See Page C-38.

HUBS & HUBS-DRUMS • 22.5K - 27.5K HD



• For use with 20", 22.5" or 24.5" 220mm Piloted Disc Wheels

22.5K - 27.5K HEAVY DUTY 10 STUDS ON 11-1/4" HUB PILOTED WITH OUTBOARD DRUM FOR 16-1/2" X 7" AIR BRAKE ASSEMBLY

REF NO.	ITEM NO.	ID NO.	DESCRIPTION	BOLT CIRCLE
1	7800074	HM218210	INNER BEARING CUP	10 ON 11.25
2	7700171	007-194-00	PRESS IN STUD M22 X 1.5 X 2.47" FOR STEEL WHEELS	
2	7700184	007-195-00	PRESS IN STUD M22 X 1.5 X 4.79" FOR ALUMINUM WHEELS	
3		008-290-13	HUB ASSEMBLY FOR STEEL WHEELS	10 ON 11.25
3		008-290-14	HUB ASSEMBLY FOR ALUMINUM WHEELS	
3		008-290-16	HUB ASSEMBLY FOR STEEL WHEELS ABS	
3		008-290-17	HUB ASSEMBLY FOR ALUMINUM WHEELS ABS	10 ON 11.25
4	7800075	HM212011	OUTER BEARING CUP	10 ON 11.25
5	7650219	009-043-03	DRUM 16-1/2" X 7" BRAKES	
6	7700172	006-118-00	SWIVEL FLANGE NUT	
7	7700035	071-124-00	OIL CAP GASKET	
8	7700178	021-038-02	VENTED OIL CAP	
9	7700177	005-100-00	OIL CAP LOCK WASHER	
10	7700146	007-157-00	OIL CAP SCREW	
		024-200-01	ABS TONE RING	10 ON 11.25

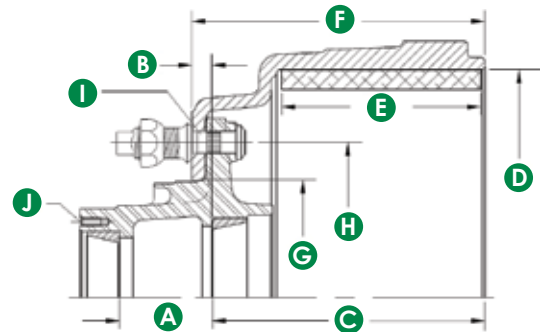
NOTE: Available as 5-Spoke Cast Wheel & Drum Assembly for use with 20" or 22.5" Demountable Rims.

HUB & DRUM DIMENSIONAL INFORMATION

REF NO.	DIMENSION	DESCRIPTION
A	3.34"	CUP TO CUP
B	0.73"	CUP TO MOUNTING FACE
C	9.87"	CUP TO END OF DRUM
D	16.50"	BRAKE DIAMETER
E	7.00"	SHOE BRAKE WIDTH
F	10.60"	DRUM OVERALL WIDTH
G	8.78"	PILOT DIAMETER (DRUM)
H	11.25"	BOLT CIRCLE 275MM
I	0.75"	BOLT DIAMETER
J	0.313"	HUB CAP HOLE MOUNTING 6 HOLES 5.50 BC
	1.575"	INNER BEARING CUP AND CONE OVERALL STACK THICKNESS

***For Brakes see Section B.

Items Available in a Kit. See Page C-38.



HUBS & HUBS-DRUMS • 22.5K - 27.5K HD ACCESSORIES



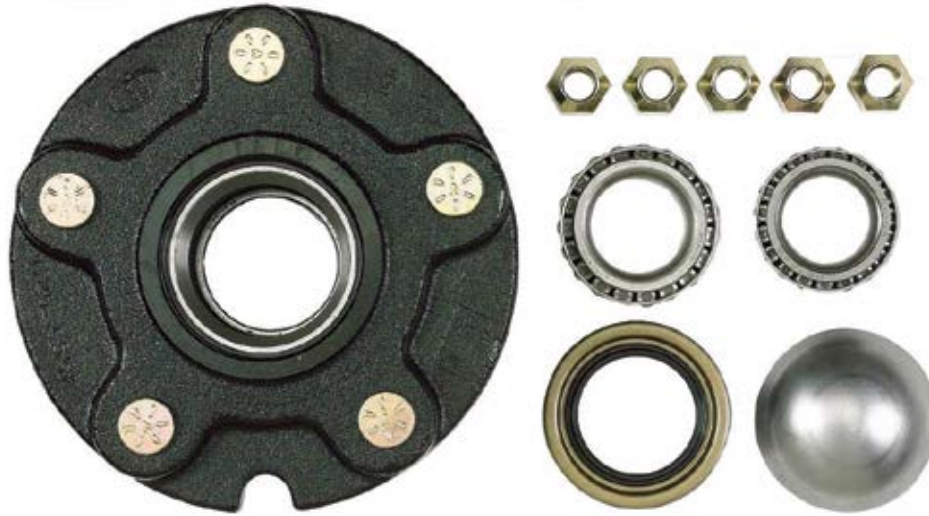
• Fits 22.5K-27.5K Heavy Duty Hub-Drum

22.5K - 27.5K HEAVY DUTY

REF NO.	ITEM NO.	ID NO.	DESCRIPTION	TYPICAL USE
1	7700183	940-4009	22.5K-27.5K BOLT-ON OIL CAP KIT CONTAINING:	DEXTER D200 PER SIDE
	7700035	071-124-00	OIL CAP GASKET	
	7700178	021-038-02	VENTED OIL CAP	
	7700177	005-100-00	OIL CAP LOCK WASHER	
	7700146	007-157-00	OIL CAP SCREW	
2	7800030	HM212049	BEARING CONE 2.625 I.D.	
	7800031	HM218248	BEARING CONE 3.542 I.D.	
	7800074	HM218210	BEARING RACE 5.786 O.D.	
	7800075	HM212011	BEARING RACE 4.813 O.D.	
3	7030108	005-102-00	FLAT WASHER 3/4"	
4	7700041	006-070-02	LEFT HAND OUTER DUAL CONE NUT 1-1/8"-16	
	7700042	006-070-01	RIGHT HAND OUTER DUAL CONE NUT 1-1/8"-16	
5	7700046	006-069-02	LEFT HAND INNER DUAL NUT 3/4"-16 X 1-1/8"-16	
	7700047	006-069-01	RIGHT HAND INNER DUAL NUT 3/4"-16 X 1-1/8"-16	
6	7700172	006-118-00	M22 X 1.5 FLANGE NUT	
7	7700149	025-056-02	LEFT HAND SHOULDER STUD SCREW-IN PHOSPHATE COATED GRADE 8 3/4"-16 X 4" LONG	
	7700148	025-056-01	RIGHT HAND SHOULDER STUD SCREW-IN PHOSPHATE COATED GRADE 8 3/4"-16 X 4" LONG	
8	7700171	007-194-00	PRESS-IN STUD PHOSPHATE COATED GRADE 8 FOR STEEL WHEELS M22 X 1.5-6 X 3.94" LONG	
	7700184	007-195-00	PRESS-IN STUD PHOSPHATE COATED GRADE 8 FOR ALUMINUM WHEELS M22 X 1.5-6 X 4.79" LONG	
9	9000139	006-047-00	HEX LOCKNUT 3/4"-16 GRADE A	



AGRICULTURAL HUBS & HUBS-DRUMS



KIT #7650150-02 • 2.5K 555 AGRICULTURAL HUB ASSEMBLY & COMPONENTS 1/2" STUDS

ITEM NO.	ID NO.	DESCRIPTION
7650150	25555F	1/2" STUDED BLACK HUB 5 ON 5.50 BOLT CIRCLE
7700245	SL175	SINGLE LIP SEAL 2.722" OD X 1.75" ID X 0.359"W
7800012	LM48548	INNER BEARING
7800049	LM48510	INNER RACE (PREINSTALLED IN HUBS)
7800045	LM67010	OUTER RACE (PREINSTALLED IN HUBS)
7800043	LM67048	OUTER BEARING
7700275	1604	GREASE CAP 2.440"
7700285	STN509	1/2"-20 90° CONE NUT ZINC GRADE 5 13/16"W

NOT INCLUDED IN KIT:

8750096	SW750	SPINDLE WASHER .812" ID X 1.750" OD X 0.183"W
8750061	SN750	SPINDLE CASTLE NUT 3/4"-16 ID
8750063	SCP103	COTTER PIN 0.148 DIA X 5/16"W X 1-1/2"L

Use with Spindle 8750050-01. See page C-42 for Spindle Details.

KIT #7650170-02 • 3.5K 660 AGRICULTURAL HUB ASSEMBLY & COMPONENTS 9/16" STUDS

ITEM NO.	ID NO.	DESCRIPTION
7650170	35660F	9/16" STUDED BLACK HUB 6 ON 6.00 BOLT CIRCLE
7700250	SL200	SINGLE LIP SEAL 3.066" OD X 2" ID X 0.250"W
7800078	LM501349	INNER BEARING
7800079	LM501310	INNER RACE (PREINSTALLED IN HUBS)
7800045	LM67010	OUTER RACE (PREINSTALLED IN HUBS)
7800043	LM67048	OUTER BEARING
7700275	1604	GREASE CAP 2.440"
7700037	STN569	9/16"-18 90° CONE NUT ZINC GRADE 5 1"W

NOT INCLUDED IN KIT:

8750096	SW750	SPINDLE WASHER .812" ID X 1.750" OD X 0.183"W
8750061	SN750	SPINDLE CASTLE NUT 3/4"-16 ID
8750063	SCP103	COTTER PIN 0.148 DIA X 5/16"W X 1-1/2"L

Use with Spindle 8750060-01. See page C-42 for Spindle Details.

AGRICULTURAL HUBS & HUBS-DRUMS



KIT #7650180-02 • 4.5K 880 AGRICULTURAL HUB ASSEMBLY & COMPONENTS 9/16" STUDS

ITEM NO.	ID NO.	DESCRIPTION
7650180	45880F	9/16" STUDED BLACK HUB 8 ON 8.00 BOLT CIRCLE
7700255	SL226	SINGLE LIP SEAL 3.066" OD X 2.25" ID X 0.250"W
7800081	LM603049	INNER BEARING
7800080	LM603011	INNER RACE (PREINSTALLED IN HUBS)
7800045	LM67010	OUTER RACE (PREINSTALLED IN HUBS)
7800043	LM67048	OUTER BEARING
7700275	1604	GREASE CAP 2.440"
7700037	STN569	9/16"-18 90° CONE NUT ZINC GRADE 5 1"W

NOT INCLUDED IN KIT:

8750096	SW750	SPINDLE WASHER .812" ID X 1.750" OD X 0.183"W
8750061	SN750	SPINDLE CASTLE NUT 3/4"-16 ID
8750063	SCP103	COTTER PIN 0.148 DIA X 5/16"W X 1-1/2"L

Use with Spindle 8750070-01. See page C-42 for Spindle Details.

KIT #7650190-02 • 6K 880 AGRICULTURAL HUB ASSEMBLY & COMPONENTS 5/8" STUDS

ITEM NO.	ID NO.	DESCRIPTION
7650190	60880F	5/8" STUDED BLACK HUB 8 ON 8.00 BOLT CIRCLE
7700260	SL275	SINGLE LIP SEAL 3.756" OD X 2.75" ID X 0.250"W
7800083	JLM506849	INNER BEARING
7800082	JLM506810	INNER RACE (PREINSTALLED IN HUBS)
7800079	LM501310	OUTER RACE (PREINSTALLED IN HUBS)
7800078	LM501349	OUTER BEARING
7700280	1609	GREASE CAP 3.125"
7700048	STN629	5/8"-18 90° CONE NUT ZINC GRADE 5 1 5/16"W

NOT INCLUDED IN KIT:

8750036	SW1001	SPINDLE WASHER 1.062" ID X 2.130" OD X 0.245"W
8750005	SN1001	SPINDLE NUT 1"-14 ID CASTLE
8750064	SCP102	COTTER PIN 0.174 DIA X 3/8"W X 1-15/16"L

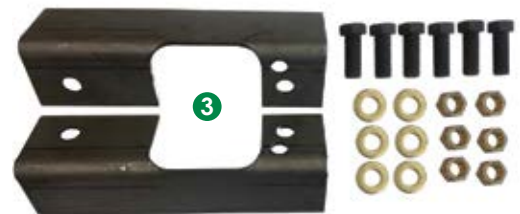
Use with Spindle 8750080-01. See page C-42 for Spindle Details.

AXLE ACCESSORIES



AXLE SPRING SEATS			
REF NO.	ITEM NO.	ID NO.	DESCRIPTION
1	9000181	003-049-00	AXLE SPRING SEAT FOR 1-3/4" ROUND AXLE TUBES
1	9000182	003-043-00	AXLE SPRING SEAT FOR 2-3/8" ROUND AXLE TUBES
1	9000183	003-042-00	AXLE SPRING SEAT FOR 3" ROUND AXLE TUBES
2	9000184	003-001-00	AXLE SPRING SEAT FOR 3" ROUND AXLE TUBES - HEAVY DUTY
1	9000185	003-048-01	AXLE SPRING SEAT FOR 3-1/2" ROUND AXLE TUBES
1	9000179	003-072-00	AXLE SPRING SEAT FOR 5" ROUND AXLE TUBES - USE WITH 10K GENERAL DUTY AXLES WITH 2-1/2" SPRINGS
2	9000180	003-066-00	AXLE SPRING SEAT FOR 5" ROUND AXLE TUBES - USE WITH 10K - 15K HEAVY DUTY AXLES WITH 3" SPRINGS

TORFLEX® WELD-ON SIDE MOUNT BRACKETS			
REF NO.	ITEM NO.	ID NO.	DESCRIPTION
3	9100165	AP-165	#8 & #9 WELD-ON SIDE MOUNT BRACKET
3	9100004	AP-166	#10 WELD-ON SIDE MOUNT BRACKET
3	9100002	AP-167	#11 WELD-ON SIDE MOUNT BRACKET
3	9100003	AP-168	#12 WELD-ON SIDE MOUNT BRACKET



SPINDLE WEAR SLEEVES			
REF NO.	ITEM NO.	ID NO.	DESCRIPTION
-	8750069	-	BT SPINDLE WEAR SLEEVE - STAINLESS STEEL
-	8750068	-	#84 SPINDLE WEAR SLEEVE
-	8750067	-	#42 SPINDLE WEAR SLEEVE

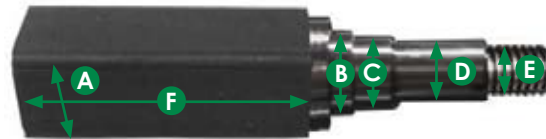
AXLE ACCESSORIES

REPLACEMENT SPINDLES

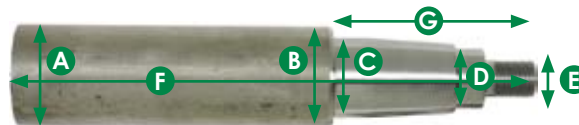


Spindles are machined to 1"-14 Thread with .190 cotter pin hole. Spindle kits come with spindle nut, washer and cotter pin. EZ-Lube Spindle kits come with spindle nut, washer and tang washer.

REPLACEMENT ROUND SPINDLES WITH HARDWARE ACCESSORIES					Shank Diameter	Shank Length	Seal	Inner Bearing	Outer Bearing	Threads	
ITEM NO.	ID NO.	DESCRIPTION	LUBE	A	F	B	C	D	E	CAPACITY	
8750016-02	R104BT8	BT8 SPINDLE WITH NUT, WASHER & COTTER PIN		1.25	3.50	1.24	0.99	0.99	1.00	1,000 LB.	
8750057-02	R104BT16	BT16 SPINDLE WITH NUT, WASHER & COTTER PIN		1.25	3.50	1.24	1.06	1.06	1.00	1,000 LB.	
8750087-02	R104BT16EZ	BT16 SPINDLE WITH NUT AND WASHERS	EZ-LUBE®	1.25	3.50	1.24	1.06	1.06	1.00	1,000 LB.	
8750017-02	R104BTR	BT16 SPINDLE WITH NUT, WASHER & COTTER PIN		1.25	3.50	1.50	1.06	1.06	1.00	1,000 LB.	
8750089-02	R104BT8-38	BT8 SPINDLE WITH NUT, WASHER & COTTER PIN		1.38	3.50	1.24	0.99	0.99	1.00	1,000 LB.	
8750011-02	R204BT8	BT8 SPINDLE WITH NUT, WASHER & COTTER PIN		1.50	3.50	1.24	0.99	0.99	1.00	1,000 LB.	
8750090-02	R204BTR	BT16 SPINDLE WITH NUT, WASHER & COTTER PIN		1.50	3.50	1.50	1.06	1.06	1.00	1,000 LB.	
8750059-02	R204BT16REZ	BT16 SPINDLE WITH NUT AND WASHERS	EZ-LUBE®	1.50	3.50	1.50	1.06	1.06	1.00	1,100 LB.	
8750091-02	R20484	NO.84 SPINDLE WITH NUT, WASHER & COTTER PIN		1.50	3.50	1.73	1.38	1.06	1.00	1,750 LB.	
8750028-02	R20484EZ	NO.84 SPINDLE WITH NUT AND WASHERS	EZ-LUBE®	1.50	3.50	1.73	1.38	1.06	1.00	1,750 LB.	
8750029-02	R30484EZ	NO.84 SPINDLE WITH NUT AND WASHERS	EZ-LUBE®	1.75	3.50	1.73	1.38	1.06	1.00	1,750 LB.	
8750022-02	R30484	NO.84 SPINDLE WITH NUT, WASHER & COTTER PIN		1.75	4.00	1.73	1.38	1.06	1.00	1,750 LB.	
8750054-02	R30684	NO.84 SPINDLE WITH NUT, WASHER & COTTER PIN 10-7/8"		1.75	6.00	1.73	1.38	1.06	1.00	1,750 LB.	
8750024-02	R306.584	NO.84 SPINDLE WITH NUT, WASHER & COTTER PIN 11-3/8"		1.75	6.50	1.73	1.38	1.06	1.00	1,750 LB.	
8750014-02	R40484	NO.84 SPINDLE STUB WITH NUT, WASHER & COTTER PIN		2.00	4.00	1.73	1.38	1.06	1.00	1,750 LB.	
8750015-02	R40684	NO.84 SPINDLE STUB WITH NUT, WASHER & COTTER PIN		2.00	6.00	1.73	1.38	1.06	1.00	1,750 LB.	
8750018-02	R40642	NO.42 SPINDLE WITH NUT, WASHER & COTTER PIN		2.00	6.00	2.24	1.74	1.25	1.00	3,000 LB.	
8750020-02	R50642	NO.42 SPINDLE WITH NUT, WASHER & COTTER PIN		2.25	6.00	2.24	1.74	1.25	1.00	3,000 LB.	
8750088-02	R50342EZ	NO.42 SPINDLE WITH NUT & WASHERS	EZ-LUBE®	2.25	3.00	2.24	1.74	1.25	1.00	2,600 LB.	
8750065-02	R20484LF	NO.84 FLANGED SPINDLE WITH NUT & WASHERS	EZ-LUBE®	1.50	3.50	1.73	1.380	1.060	1.00	1,750 LB.	
8750093-02	R50642F	NO.42 FLANGED SPINDLE WITH NUT, WASHER & COTTER PIN		2.25	6.00	2.24	1.740	1.250	1.00	3,000 LB.	



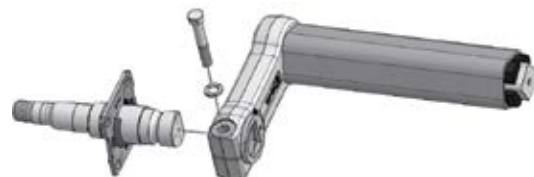
REPLACEMENT SQUARE SPINDLES (LESS HARDWARE)					Shank Diameter	Shank Length	Seal	Inner Bearing	Outer Bearing	Threads	
ITEM NO.	ID NO.	DESCRIPTION	A	F	B	C	D	E	CAPACITY		
8750012	SP204-BT8	BT8 SQUARE SPINDLE	1.50	4.00	1.24	0.99	0.99	1.00	1,000 LB.		
8750021	SP20484	NO. 84 SQUARE SPINDLE	1.50	3.50	1.73	1.38	1.06	1.00	1,750 LB.		
8750023	SP30684	NO. 84 SQUARE SPINDLE	1.75	3.50	1.73	1.38	1.06	1.00	1,750 LB.		
8750013	SP50642	NO. 42 SQUARE SPINDLE	2.00	6.50	2.25	1.74	1.25	1.00	3,000 LB.		



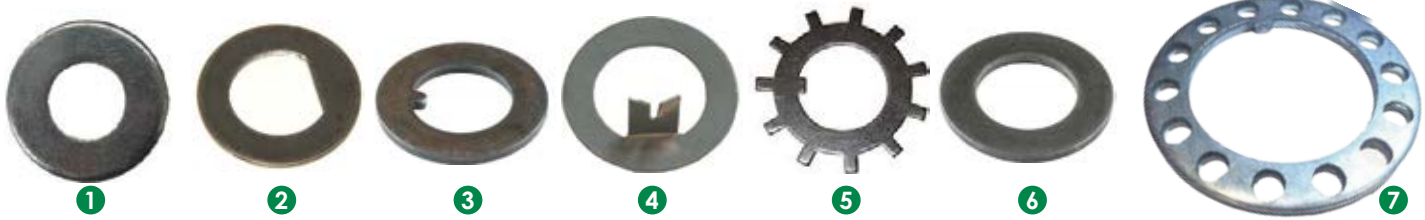
REPLACEMENT ROUND AGRICULTURAL SPINDLES WITH HARDWARE ACCESSORIES					Shank Diameter	Overall Length	Seal	Inner Bearing	Outer Bearing	Threads	Centerline of Cotter Pin Hole	
ITEM NO.	ID NO.	DESCRIPTION	A	F	B	C	D	E	G	CAPACITY		
8750050-01	S2500F	2.5K ROUND AG SPINDLE, WASHER, SPINDLE NUT & COTTER PIN	1.75	12.31	1.75	1.374	1.249	3/4"-16	3.59	2,500 LB.		
8750060-01	S3500F	3.5K ROUND AG SPINDLE, WASHER, SPINDLE NUT & COTTER PIN	2.00	11.00	2.00	1.624	1.249	3/4"-16	4.91	3,500 LB.		
8750070-01	S4500F	4.5K ROUND AG SPINDLE, WASHER, SPINDLE NUT & COTTER PIN	2.25	12.00	2.25	1.780	1.249	3/4"-16	4.99	4,500 LB.		
8750080-01	S6000F	6K ROUND AG SPINDLE, WASHER, SPINDLE NUT & COTTER PIN	2.75	14.00	2.75	2.164	1.624	1"-14	5.24	6,000 LB.		

REPLACEMENT TORFLEX® SPINDLE KIT (ONLY FOR TORSION AXLES WITH THE REMOVABLE SPINDLE OPTION)

ITEM NO.	ID NO.	DESCRIPTION
8750108	K71-742-00	TF#9 2.2K REMOVABLE SPINDLE KIT
8750109	K71-743-00	TF#10 3.5K REMOVABLE SPINDLE KIT
8750110	K71-744-00	TF#11 6K REMOVABLE SPINDLE KIT
8750111	K71-745-00	TF#12 7K REMOVABLE SPINDLE KIT



SPINDLE HARDWARE



SPINDLE WASHERS

ITEM NO.	ITEM NO.	ID NO.	DESCRIPTION	I.D.
3	8750035	16-5863	TONGUE WASHER FOR REPLACEMENT SPINDLES	1.00"
1	8750036	SW1000	ROUND WASHER FOR REPLACEMENT SPINDLES	1.00"
2	8750033	005-023-00	DEXTER D-WASHER - 2.2K THRU 6K (655 HUB)	1.00"
4	8750040	005-101-00	DEXTER EZ-LUBE TANG WASHER - 2.2K THRU 8K (BEFORE 6/02)	1.00"
1	8750046	005-151-00	DEXTER EZ-LUBE D-WASHER - 2.2K THRU 8K (BEFORE 6/02)	1.00"
1	8750034	005-057-00	DEXTER D-WASHER - 6K THRU 8K (865 HUB) & 9K BEFORE 10/89	1.00"
5	8750038	005-071-00	DEXTER TANG WASHER - 9K & 10GD	1.50"
3	8750037	005-070-00	DEXTER TONGUE WASHER - 9K & 10GD	1.50"
5	8750041	005-059-00	DEXTER TANG WASHER - 10K, 12K & 15K	1.75"
3	8750042	005-060-00	DEXTER TONGUE WASHER - 10K, 12K & 15K	1.75"
7	7800073	005-098-00	DEXTER INDEXING LOCK WASHER 22.5 THRU 27K 0.250" 14 EQUALLY SPACED HOLES	2.625"
6	7700125	005-150-00	DEXTER 35MM NEV-R-LUBE SPINDLE WASHER 1.88" OD X 0.250"W	1.00"
6	7700129	005-147-01	DEXTER 42MM NEV-R-LUBE SPINDLE WASHER 2.25" OD X 0.250"W	1.00"
6	7700131	005-149-00	DEXTER 50MM NEV-R-LUBE SPINDLE WASHER 2.50" OD X 0.310"W	1.00"
1	8750039	90525	AL-KO / HAYES ROUND WASHER - 10-16K	1.50"
2	8750032	H500-18	AL-KO / BELSHE #99 SPINDLE THIN D-WASHER	1.50"
2	8750031	H500-17	AL-KO / BELSHE #99 SPINDLE THICK D-WASHER	1.50"
1	8750096	SW750	RELIABLE AG ROUND WASHER X 1.750" OD X 0.183"W	0.812"



SPINDLE NUTS

ITEM NO.	ITEM NO.	ID NO.	DESCRIPTION	I.D.
8	8750005	006-001-00	1"-14 CASTLE NUT 2.2K - 8K (DEXTER 2.2-8K & 9K BEFORE 10/89) 6-SLOT	1.00"
8	8750006	006-191-00	1"-14 JAM NUT - 2.2K THRU 8K (DEXTER USE AFTER 8/03)	1.00"
13	8750030	006-190-00	SPINDLE NUT RETAINER - USE WITH 6-191	
8	8750007	006-096-00	1-1/2"-12 NUT - DEXTER 9K & 10GD	1.50"
8	8750008	006-084-00	1-3/4"-12 NUT - DEXTER 10K THRU 15K	1.75"
9	8750010	090623	1-1/2"-12 CASTLE NUT - #99 SPINDLE (AL/KO #99 & #89)	1.50"
10	8750001	006-176-00	1"-14 CASTLE NUT 2.2K - 8K 12-SLOT	1.00"
11	8750051	006-114-00	2-5/8"-6 INNER NUT - 20K THRU 27K	
11	8750056	006-115-00	2-5/8"-6 OUTER NUT - 20K THRU 27K	
9	8750061	SN750	RELIABLE CASTLE NUT 3/4"-16 ID	0.75"
12	7700126	006-183-00	SPINDLE NUT - DEXTER NEV-R-LUBE	

SPINDLE ACCESSORIES

ITEM NO.	ITEM NO.	ID NO.	DESCRIPTION	LENGTH
14	8750003	019-002-00	COTTER PIN 1/8" X 1-3/4" LONG	1.75"
14	8750002	091903	COTTER PIN - AL/KO 8K THRU 16K (#89 & 99 SPINDLE)	2.50"
14	8750063	SCP103	RELIABLE COTTER PIN - 0.148" DIA X 5/16" W X 1.50" LONG	1.50"
14	8750064	SCP102	RELIABLE COTTER PIN - 0.174" DIA X 3/8" W X 1.937" LONG	1.94"
15	8750004	061-007-00	GREASE FITTING 1/4-28 FOR .230/.235 DIA HOLE, FITS DEXTER EZ-LUBE SPINDLES, SHACKLES & HANGER BOLTS	

RETAIL READY PARTS

PREGREASED BOXED HUB KITS

ITEM NO.	DESCRIPTION	INNER BEARING	OUTER BEARING	CAPACITY	DETAIL	BOLT PATTERN
7650071-03B	EZ-LUBE® HUB KIT COMPLETE	L44649	L44649	2K	5.5" HUB FLANGE	545
7650073-03B	EZ-LUBE® HUB KIT COMPLETE	L68149	L44649	3.5K		545
7650077-03B	EZ-LUBE® HUB KIT COMPLETE	L68149	L44649	3.5K		550
7650085-03B	EZ-LUBE® HUB KIT COMPLETE	25580	15123	5.2K		655

GALVANIZED • PREGREASED BOXED HUB KITS

ITEM NO.	DESCRIPTION	INNER BEARING	OUTER BEARING	CAPACITY	DETAIL	BOLT PATTERN
7650071-GV3B	GALVANZIED EZ-LUBE® HUB KIT COMPLETE	L44649	L44649	2K	5.5" HUB FLANGE	545
7650073-GV3B	GALVANZIED EZ-LUBE® HUB KIT COMPLETE	L68149	L44649	3.5K		545
7650085-GV3B	GALVANZIED EZ-LUBE® HUB KIT COMPLETE	25580	15123	5.2K		655

PREGREASED BOXED HUB-DRUM KITS

ITEM NO.	DESCRIPTION	INNER BEARING	OUTER BEARING	CAPACITY	DETAIL	BOLT PATTERN
7650030-03B	EZ-LUBE® HUB-DRUM KIT COMPLETE	L68149	L44649	3.5K		545
7650034-03B	EZ-LUBE® HUB-DRUM KIT COMPLETE	L68149	L44649	3.5K		550
7650041-03B	EZ-LUBE® HUB-DRUM KIT COMPLETE	25580	15123	5.2K-6K		655
7650045-03B	EZ-LUBE® HUB-DRUM KIT COMPLETE	25580	14125A	5.2K-7K	1/2"-20 STUDS	865
7650050-03B	EZ-LUBE® HUB-DRUM KIT COMPLETE	25580	14125A	5.2K-7K	9/16"-18 STUDS	865

WHEEL STUD & NUT KITS

ITEM NO.	ID NO.	DESCRIPTION	SIZE
7700058-01	K71-298-00	RIM CLAMP UTG & MH STYLE (5-EACH)	
7700045-01	K71-299-00	WHEEL NUT 60° CONE GRADE 5 ZINC (6-EACH)	1/2"-20
7700048-01	K71-347-00	WHEEL NUT 90° CONE GRADE 8 ZINC (4-EACH)	5/8"-18
7700107-01	K71-342-00	PRESS-IN WHEEL STUD (4-EACH)	5/8"-18
7700109-01	K71-295-00	PRESS-IN WHEEL STUD (4-EACH)	1/2"-20

SPINDLE NUT KITS*

ITEM NO.	ID NO.	DESCRIPTION	DESIGNED USE
8750101-01	TTSN02	SPINDLE NUT PACKAGE (2-EACH) 1-PLAIN FLAT WASHER, NUT & COTTER PIN	DEXTER 2.2K - 8K
8750102-01	K71-335-00	SPINDLE NUT PACKAGE (2-EACH) 1-D WASHER & CASTLE NUT	DEXTER 3.5K - 6K REGULAR DUTY EZ-LUBE
8750103-01	K71-321-00	SPINDLE NUT PACKAGE (2-EACH) 1-D WASHER, NUT AND COTTER PIN	DEXTER 7K-8K AND 9K PRE-10/89
8750104-01	K71-322-00	SPINDLE NUT PACKAGE (2-EACH) 1-D WASHER, NUT AND COTTER PIN	DEXTER 1K-6K
8750105-01	K71-622-00	SPINDLE NUT PACKAGE (2-EACH) EZ-LUBE® NUT, RETAINER AND COTTER PIN	DEXTER EZ-LUBE®
8750106-01	K71-367-00	SPINDLE NUT PACKAGE (2-EACH) TANG / D-WASHER & NUT	DEXTER 9K-10KGD POST 10/89
8750107-01	K71-341-00	SPINDLE NUT PACKAGE (2-EACH) TANG / WASHER & NUT	DEXTER 10KHD - 15KHD

*NOTE: Ask your Sales Representative for the Spindle Kit that will fit your trailer.



RETAIL READY PARTS

OIL SEAL KIT

ITEM NO.	ID NO.	DESCRIPTION	O.D.	I.D.	OEM COMPONENT ID NO
7700212-01	K71-387-00	9K-10KGD RED UNITIZE OIL SEAL DEXTER OEM	3.880	2.875	010-051-00

BEARING KITS

ITEM NO.	ID NO.	DESCRIPTION	KIT DETAILS	FITS	TYPICAL USE
7800037-01	K71-715-00	BEARING KIT	SEE PAGE C-50	BT8	1K-2K (1-WHEEL)
7800038-01	K71-716-00	BEARING KIT	SEE PAGE C-50	BT16	2K (1-WHEEL)
7800059-01	K71-717-00	BEARING KIT	SEE PAGE C-50	#84	3.5K (1-WHEEL)
7800061-02	TTBK844	BEARING KIT	SEE PAGE C-50	#84	4.4K (1-WHEEL)
7800070-01	K71-719-00	BEARING KIT	SEE PAGE C-50	#42	5.2K-6K 6-LUG (1-WHEEL)
7800071-01	K71-720-00	BEARING KIT	SEE PAGE C-50	#42	6K-7K 8-LUG (1-WHEEL)
7800094-01	K71-721-00	BEARING KIT	SEE PAGE C-50	#42	7.2K-8K (1-WHEEL)
7800095-01	K71-722-00	BEARING KIT	SEE PAGE C-05	DX	9K-10KGD (1-WHEEL)

GREASE CAP KITS

ITEM NO.	ID NO.	DESCRIPTION	FITS	TYPICAL USE
7700024-01	K71-314-00	GREASE CAP DRIVE-IN STANDARD CLOSED CAP KIT (2-EA CAPS)	1.986	2K-3.5K
7700025-01	K71-315-00	GREASE CAP DRIVE-IN STANDARD EZ-LUBE CAP KIT (2-EA CAPS & PLUGS)	1.986	2K-3.5K
7700027-01	K71-316-00	GREASE CAP DRIVE-IN STANDARD CLOSED CAP KIT (2-EA CAPS)	2.450	4.4K-5.2K
7700016-01	K71-317-00	GREASE CAP DRIVE-IN STANDARD EZ-LUBE CAP KIT (2-EA CAPS & PLUGS)	2.450	4.4K-5.2K
7700020-01	K71-318-00	GREASE CAP DRIVE-IN STANDARD CLOSED CAP KIT (2-EA CAPS)	2.720	5.2K-7K
7700018-01	K71-319-00	GREASE CAP DRIVE-IN STANDARD EZ-LUBE CAP KIT (2-EA CAPS & PLUGS)	2.720	5.2K-7K
7700053-01	K71-320-00	EZ-LUBE® GREASE CAP PLUG KIT DEXTER OEM REPLACEMENT (2-EA PLUGS)	ALL	EZ-LUBE® CAP

OIL CAP KITS

ITEM NO.	ID NO.	DESCRIPTION	TYPICAL USE
7700029-01	K71-038-00	DEXTER SCREW-ON OIL CAP KIT WITH O-RING, PLUG & GASKET (2-EACH)	6K-8K AND 9K (PRE OCT 1989)
7700030-01	K71-148-00	DEXTER SCREW-ON OIL CAP KIT WITH O-RING, PLUG & GASKET (2-EACH)	9K (POST OCT 1989 / PRE AUG 2009)
7700030-01	K71-148-00	DEXTER SCREW-ON OIL CAP KIT WITH O-RING, PLUG & GASKET (2-EACH)	10KGD (PRE AUG 2009) - 15KHD
7700215-01	K71-704-00	DEXTER SCREW-ON OIL CAP KIT WITH O-RING, PLUG & GASKET (2-EACH)	9K-10K GENERAL DUTY (POST AUG 2009)
7700028	K71-845-00	ALKO SCREW-ON OIL CAP KIT WITH O-RING & PLUG (1-EACH)	7K-8K
7700023	K71-859-00	ALKO SCREW-ON OIL CAP KIT WITH O-RING & PLUG (1-EACH)	10K-12K
7700183	940-4009	22.5K-27.5K BOLT-ON OIL CAP KIT INCLUDING SEAL, BOLTS AND WASHERS	DEXTER D200 PER SIDE





a brand of **FREUDENBERG**

GEMINI PRODUCTS INC.



GREASE SEALS				
ITEM NO.	ID NO.	DESCRIPTION	I.D.	O.D.
7700060	12192TB	BT8 DOUBLE LIP GREASE SEAL 2K	1.249	1.983
7700083	010-060-00	BT16 DOUBLE LIP GREASE SEAL 2K	1.500	1.987
7700085	010-019-00	84F DOUBLE LIP GREASE SEAL 3.5K - 4.4K	1.719	2.565
7700086	010-010-00	42F DOUBLE LIP GREASE SEAL 5.2K - 7K	2.125	3.376
7700073	010-036-00	42F DOUBLE LIP GREASE SEAL 5.2K - 7K	2.250	3.376
7700240	SL150	AG SINGLE LIP SEAL 1.2K	1.500	2.332
7700245	SL175	AG SINGLE LIP SEAL 2.5K	1.750	2.722
7700250	SL200	AG SINGLE LIP SEAL 3.5K	2.000	3.066
7700255	SL226	AG SINGLE LIP SEAL 4.5K	2.250	3.066
7700260	SL275	AG SINGLE LIP SEAL 6K	2.750	3.756
7700137	168233	NITRILE / UNIQUE #84 SINGLE LIP GREASE SEAL	1.688	2.332
7700063	29031	HAYES #8 SPINDLE GREASE SEAL	1.875	3.000
7700075	475380	BT1 #79-99 SPINDLE GREASE SEAL	2.375	3.623
7700064	010-040-00	MOBILE HOME SINGLE LIP GREASE SEAL	1.938	2.510
7700065	010-041-00	MOBILE HOME SINGLE LIP GREASE SEAL	1.938	2.523

OIL SEALS				
ITEM NO.	ID NO.	DESCRIPTION	I.D.	O.D.
7700088	010-063-00	UNITIZED OIL SEAL DEXTER 5.2K - 7K / HAYES 8K	2.250	3.376
7700076	568303	HAYES/TEXOMA #99 SPINDLE CR OIL SEAL	2.750	3.779
7700089	010-048-00	UNITIZED DOUBLE LIP / DOUBLE CASE OIL SEAL 8K - 9K	2.375	3.376
7700081	010-051-00	UNITIZED OIL SEAL 9K - 10K GENERAL DUTY	2.875	3.880
7700212	010-051-00	UNITIZED OIL SEAL 9K - 10K GENERAL DUTY (OLD STYLE)	2.875	3.880
700212-01	K71-387-00	DEXTER UNITIZED RED OIL SEAL 9K - 10K GENERAL DUTY	2.875	3.880
7700077	010-056-00	UNITIZED OIL SEAL 10K - 15K	3.125	4.506
7700079	010-055-01	UNITIZED OIL SEAL 20K - 25K	4.625	6.006
7700188	320-2110	STEMCO OIL SEAL 22.5K	4.733	6.000
7700189	315-1504	STEMCO WEAR RING 22.5K	-	-
7700198	GS1719DLR	#84 RUBBER COATED GREASE SEAL	2.561	2.568



WHEEL STUDS

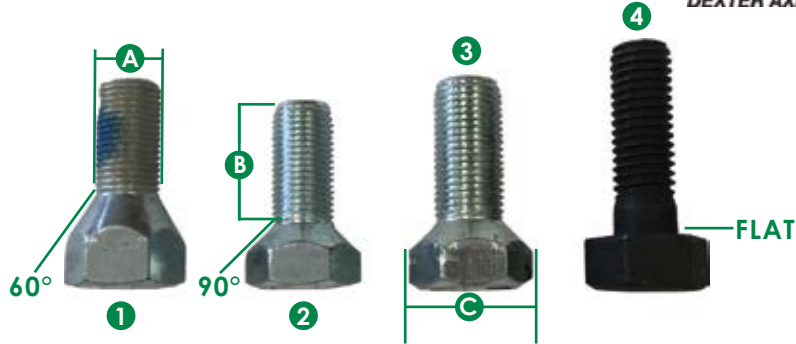


Wheel Stud images are proportional to others on this page but not true in size.

PRESS-IN WHEEL STUDS				THREAD DIAMETER	STUD LENGTH	SPLINE LENGTH	BASE LENGTH	SPLINE DIAMETER
REF NO.	ITEM NO	ID NO.	DESCRIPTION	A	B	C	D	E
1	6450565	LB169	PRESS-IN STUD YELLOW ZINC GRADE 8	1/2"-20	1.6875	0.45	0.60	0.530
	6450739	LB20	PRESS-IN STUD YELLOW ZINC GRADE 8	1/2"-20	2.00	0.38	0.52	0.545
2	6450835	LB25	PRESS-IN STUD SILVER ZINC GRADE 8	9/16"-18	2.50	0.63	1.10	0.700
3	7700092	363909	PRESS-IN STUD STEEL GRADE 8	1/2"-20	2.50	0.62	0.72	0.540
4	7700106	090737	PRESS-IN STUD BLACK OXIDE GRADE 8 D-HEAD	5/8"-18	2.90	0.55	0.95	0.680
5	7700107	007-115-00	PRESS-IN STUD PHOSPHATE COATED GRADE 8	5/8"-18	3.15	0.56	1.00	0.690
	7700108	09077115	PRESS-IN STUD BLACK OXIDE GRADE 8	3/4"-16	3.14	0.55	1.30	0.700
6	7700109	007-122-00	PRESS-IN STUD STEEL GRADE 8	1/2"-20	2.00	0.39	0.73	0.610
7	7700112	007-132-00	PRESS-IN STUD STEEL GRADE 8	9/16"-18	2.30	0.31	1.06	0.690
8	7700123	007-223-00	PRESS-IN STUD STEEL GRADE 8	9/16"-18	2.00	0.31	0.72	0.690
9	7700133	007-246-00	PRESS-IN STUD STEEL GRADE 8	1/2"-20	1.80	0.26	0.62	0.545
10	7700142	007-262-00	PRESS-IN STUD BLACK OXIDE GRADE 8	1/2"-20	2.50	0.72	1.35	0.545
11	7700144	007-185-00	PRESS-IN STUD STEEL GRADE 8	1/2"-20	1.75	0.36	0.52	0.617
12	7700145	007-224-00	PRESS-IN STUD PHOSPHATE COATED GRADE 8	5/8"-18	2.50	0.31	1.05	0.690
13	7700156	007-232-00	PRESS-IN STUD PHOSPHATE COATED GRADE 8	5/8"-18	2.75	0.31	1.00	0.690
14	7700159	007-150-00	PRESS-IN STUD STEEL GRADE 8	1/2"-20	2.09	0.40	0.75	0.617
15	7700171	007-194-00	PRESS-IN STUD PHOSPHATE COATED GRADE 8 FOR STEEL WHEELS	M22 X 1-1/2-6	3.94	0.63	1.25	0.970
	7700184	007-195-00	PRESS-IN STUD PHOSPHATE COATED GRADE 8 FOR ALUMINUM WHEELS	M22 X 1-1/2-6	4.79	0.63	1.25	0.970
	7700217	007-257-00	PRESS-IN STUD SILVER ZINC GRADE 8	9/16"-18	2.50	0.56	1.06	0.689

DOUBLE THREADED ENDS SCREW-IN WHEEL STUDS				THREAD DIAMETER	OVERALL LENGTH	LUG NUT END LENGTH	HUB END LENGTH	END	END
REF NO.	ITEM NO	ID NO.	DESCRIPTION	A	B	C	D	F	G
	7700097	025-053-00	WHEEL STUD YELLOW ZINC GRADE 8	1/2	2.00	1.140	0.770	1/2"-20 FINE	1/2"-20 FINE
	7700090	025-011-00	WHEEL STUD PHOSPHATE COATED GRADE 8	9/16	3.06	1.562	0.750	9/16"-18 FINE	9/16"-12 COARSE
	7700110	025-045-00	WHEEL STUD PHOSPHATE COATED GRADE 8	5/8	2.50	1.320	0.800	5/8"-18 FINE	5/8"-11 COARSE
16	6450242	025-014-00	ROTOR STUD PHOSPHATE COATED GRADE 8	1/2	2.53	0.350	1.200	1/2"-20 FINE	1/2"-13 COARSE
17	7700104	025-013-01	RH WHEEL STUD PHOSPHATE COATED GRADE 8	3/4	2.44	1.000	1.200	3/4"-16 FINE	3/4"-10 COARSE
	7700103	025-013-02	LH WHEEL STUD PHOSPHATE COATED GRADE 8	3/4	2.44	1.000	1.200	3/4"-16 FINE	3/4"-10 COARSE

WHEEL BOLTS & NUTS



WHEEL BOLTS				THREAD DIAMETER	THREAD LENGTH	HEAD SIZE	THREAD	TYPE
REF NO.	ITEM NO	ID NO.	DESCRIPTION	A	B	C		
1	7700008	007-040-00	SCREW-IN HEX HEAD WHEEL BOLT GRADE 5 ZINC	1/2"-20	0.800	0.800	FINE	60° CONE
2	7700295	LB509	SCREW-IN HEX HEAD WHEEL BOLT GRADE 5 ZINC	1/2"-20	0.950	0.800	FINE	90° CONE
3	7700120	007-084-00	SCREW-IN HEX HEAD WHEEL BOLT GRADE 5 ZINC	9/16"-18	1.120	0.875	FINE	90° CONE
4	7700006	007-036-00	SCREW-IN HEX HEAD WHEEL BOLT GRADE 5 ZINC	1/2"-13	1.270	0.860	COARSE	FLAT HEAD



WHEEL NUTS								
REF NO.	ITEM NO	ID NO.	DESCRIPTION	FINISH	SIZE	GRADE	THREAD	TYPE
5	7700044	1904	ACORN HEX WHEEL NUT	CHROME	1/2"-20	5	FINE	60° CONE
6	7700045	006-080-00	WHEEL NUT	ZINC	1/2"-20	5	FINE	60° CONE
7	7700202	1904L	ACORN HEX BULGE 1.75" LONG WHEEL NUT	CHROME	1/2"-20	5	FINE	60° CONE
8	7700285	STN509	WHEEL NUT	ZINC	1/2"-20	5	FINE	90° CONE
9	7700036	006-053-00	WHEEL NUT	ZINC	9/16"-18	5	FINE	60° CONE
10	7700037	006-060-00	WHEEL NUT	ZINC	9/16"-18	5	FINE	90° CONE
11	7700201	3010	ACORN DUPLEX HEX WHEEL NUT	CHROME	9/16"-18	5	FINE	60° CONE
12	7700034	006-058-00	WHEEL NUT	ZINC	5/8"-18	8	FINE	FLANGE
13	7700048	006-109-00	WHEEL NUT	ZINC	5/8"-18	8	FINE	90° CONE
14	7700168	006-209-00	WHEEL NUT SWIVELING FLANGE		5/8"-18		FINE	
15	7700046	006-069-02	LH INNER DUAL WHEEL NUT 3/4" INNER THREAD / 1-1/8" OUTER THREAD	YELLOW ZINC	3/4"-16	5	FINE	DUAL WHEEL
	7700047	006-069-01	RH INNER DUAL WHEEL NUT 3/4" INNER THREAD / 1-1/8" OUTER THREAD	YELLOW ZINC	3/4"-16	5	FINE	DUAL WHEEL
16	7700041	006-070-02	LH OUTER DUAL CONE WHEEL NUT 0.875" WIDTH X 1.50" OD	GOLD ZINC	1-1/8"-16	5	FINE	DUAL WHEEL
	7700042	006-070-01	LRH OUTER DUAL CONE WHEEL NUT 0.875" WIDTH X 1.50" OD	GOLD ZINC	1-1/8"-16	5	FINE	DUAL WHEEL
17	7700172	006-118-00	WHEEL NUT 2-PIECE METRIC SWIVELING FLANGE	HARDENED ALLOY	M22X1.5-6	5	FINE	FLANGE
18	7700281	1954BK	ACORN HEX CAPPED WHEEL NUT 1.40L	BLACK	1/2"-20		FINE	60° CONE
18	7700282	1954HD-BK	ACORN HEX CAPPED WHEEL NUT 1.72L	BLACK	1/2"-20		FINE	60° CONE
18	7700283	1960LHD-BK	ACORN HEX CAPPED WHEEL NUT 1.72L	BLACK	9/16"-18		FINE	60° CONE

HEAVY DUTY WHEEL HARDWARE



HEAVY DUTY WHEEL MOUNTING HARDWARE					
REF NO.	ITEM NO	ID NO.	DESCRIPTION	A	B
1	7700148	025-056-01	SHOULDER STUD RIGHT HAND SCREW-IN PHOSPHATE COATED GRADE 8	3/4"-16	4.00
1	7700149	025-056-02	SHOULDER STUD LEFT HAND SCREW-IN PHOSPHATE COATED GRADE 8	3/4"-16	4.00
2	9000139	006-047-00	DRUM MOUNTING HEX LOCK NUT 0.875" WIDTH X 1.12" OD GRADE C	3/4"-16	
3	7700046	006-069-02	INNER DUAL WHEEL NUT LEFT HAND 3/4"-16 INNER THREAD YELLOW ZINC BUDD TYPE FOR STEEL WHEELS	1-1/8"-16	1.50
3	7700047	006-069-01	INNER DUAL WHEEL NUT RIGHT HAND 3/4"-16 INNER THREAD YELLOW ZINC BUDD TYPE FOR STEEL WHEELS	1-1/8"-16	1.50
4	7700042	006-070-01	OUTER DUAL RIGHT HAND CONE WHEEL NUT 0.875" WIDTH X 1.50" OD GOLD ZINC BUDD TYPE	1-1/8"-16	
4	7700041	006-070-02	OUTER DUAL LEFT HAND CONE WHEEL NUT 0.875" WIDTH X 1.50" OD GOLD ZINC BUDD TYPE	1-1/8"-16	
5	7700172	006-118-00	WHEEL NUT 2-PIECE METRIC SWIVELING FLANGE GRADE C FINE THREAD	M22X1.5-6	
6	7700171	007-194-00	PRESS-IN STUD PHOSPHATE COATED GRADE 8 FOR STEEL WHEELS	M22 X 1-1/2-6	3.94
	7700184	007-195-00	PRESS-IN STUD PHOSPHATE COATED GRADE 8 FOR ALUMINUM WHEELS	M22 X 1-1/2-6	4.79
7	7700104	025-013-01	RH WHEEL STUD PHOSPHATE COATED GRADE 8	3/4"-16 & 3/4"-10	
	7700103	025-013-02	LH WHEEL STUD PHOSPHATE COATED GRADE 8	3/4"-16 & 3/4"-10	
8	7030108	005-102-00	FLAT WASHER BLACK OXIDE STEEL	3/4"	



WHEEL RETAINING RING & RIM CLAMPS				
REF NO.	ITEM NO	ID NO.	DESCRIPTION	DESIGNED USE
9	7700033	033-052-01	DEXTER WHEEL RETAINING RING FOR USE WITH 5/8"-18 NUT	9K-12K WITH 7700048 NUTS
10	7700048	006-109-00	RETAINING RING 90° CONE NUT ZINC PLATED 5/8"-18 GRADE 8	
11	7700034	006-058-00	DEXTER FLANGE NUT ZINC PLATED 5/8"-18 GRADE 8	
12	7700058	015-002-00	DEXTER RIM CLAMP	14.5 MOBILE HOME AND UTILITY GRADE (UTG)
13	9000152	916N	RIM CLAMP HEX NUT 9/16"-18	

BEARING KITS

BEARING KITS



BEARING KITS					
ITEM NO.	ID NO.	DESCRIPTION	QUANTITY	SPECIFICATIONS	
7800037-01 K71-715-00 BEARING KIT 1" BT8 SPINDLE 1K-2K 1-WHEEL					
7800007	L44643	BEARING CONE	2		1.000 I.D.
7800046	L44610	BEARING CUP (RACE)	2	1.980 O.D.	
7700060	12192TB	DOUBLE LIP BT8 GREASE SEAL	1	1.983 O.D.	1.249 I.D.
8750003	019-002-00	1/8" DIAMETER COTTER PIN 1-3/4" LONG	1		
8750040	005-101-00	TANG WASHER 0.036"	1	1.560 O.D.	1.010 I.D.
7800038-01 K71-716-00 BEARING KIT 1.125" BT16 SPINDLE 2K 1-WHEEL					
7800010	L44649	BEARING CONE	2		1.063 I.D.
7800046	L44610	BEARING CUP (RACE)	2	1.980 O.D.	
7700083	010-060-00	DOUBLE LIP BT16 GREASE SEAL	1	1.987 O.D.	1.500 I.D.
8750003	019-002-00	1/8" DIAMETER COTTER PIN 1-3/4" LONG	1		
8750040	005-101-00	TANG WASHER 0.036"	1	1.560 O.D.	1.010 I.D.
7800059-01 K71-717-00 BEARING KIT #84 SPINDLE 3.5K 1-WHEEL					
7800010	L44649	BEARING CONE	1		1.063 I.D.
7800046	L44610	BEARING CUP (RACE)	1	1.980 O.D.	
7800006	L68149	BEARING CONE	1		1.378 I.D.
7800041	L68111	BEARING CUP (RACE)	1	2.362 O.D.	
7700085	010-019-00	DOUBLE LIP GREASE SEAL	1	2.565 O.D.	1.719 I.D.
8750003	019-002-00	1/8" DIAMETER COTTER PIN 1-3/4" LONG	1		
8750040	005-101-00	TANG WASHER 0.036"	1	1.560 O.D.	1.010 I.D.
7800061-02 TTBK844 BEARING KIT #84 SPINDLE 4.4K 1-WHEEL					
7800043	LM67048	BEARING CONE	1		1.250 I.D.
7800045	LM67010	BEARING CUP (RACE)	1	2.328 O.D.	
7800006	L68149	BEARING CONE	1		1.378 I.D.
7800041	L68111	BEARING CUP (RACE)	1	2.362 O.D.	
7700085	010-019-00	DOUBLE LIP GREASE SEAL	1	2.565 O.D.	1.719 I.D.
8750003	019-002-00	1/8" DIAMETER COTTER PIN 1-3/4" LONG	1		
8750040	005-101-00	TANG WASHER 0.036"	1	1.560 O.D.	1.010 I.D.
7800070-01 K71-719-00 BEARING KIT #42 SPINDLE 5.2K-6K 6-LUG WHEEL 1-WHEEL					
7800027	15123	BEARING CONE	1		1.250 I.D.
7800055	15245	BEARING CUP (RACE)	1	2.441 O.D.	
7800026	25580	BEARING CONE	1		1.750 I.D.
7800054	25520	BEARING CUP (RACE)	1	3.265 O.D.	
7700073	010-036-00	DOUBLE LIP GREASE SEAL	1	3.376 O.D.	2.250 I.D.
8750003	019-002-00	1/8" DIAMETER COTTER PIN 1-3/4" LONG	1		
8750040	005-101-00	TANG WASHER 0.036"	1	1.560 O.D.	1.010 I.D.
7800071-01 K71-720-00 BEARING KIT #42 SPINDLE 6K-7K 8-LUG WHEEL 1-WHEEL					
7800017	14125A	BEARING CONE	1		1.250 I.D.
7800056	14276	BEARING CUP (RACE)	1	2.717 O.D.	
7800026	25580	BEARING CONE	1		1.750 I.D.
7800054	25520	BEARING CUP (RACE)	1	3.265 O.D.	
7700073	010-036-00	DOUBLE LIP GREASE SEAL	1	3.376 O.D.	2.250 I.D.
8750003	019-002-00	1/8" DIAMETER COTTER PIN 1-3/4" LONG	1		
8750040	005-101-00	TANG WASHER 0.036"	1	1.560 O.D.	1.010 I.D.
7800094-01 K71-721-00 BEARING KIT #42 SPINDLE 7.2K-8K 1-WHEEL					
7800028	02475	BEARING CONE	1		1.250 I.D.
7800026	25580	BEARING CONE	1		1.750 I.D.
7700073	010-036-00	DOUBLE LIP GREASE SEAL EZ LUBE	1	3.376 O.D.	2.250 I.D.
8750003	019-002-00	1/8" DIAMETER COTTER PIN 1-3/4" LONG	1		
7800057	02420	BEARING CUP (RACE)	1	2.688 O.D.	
7800054	25520	BEARING CUP (RACE)	1	3.265 O.D.	
7800095-01 K71-722-00 BEARING KIT DX SPINDLE 9K-10KGD 1-WHEEL					
7800026	25580	BEARING CONE	1		1.750 I.D.
7800024	387A	BEARING CONE	1		2.250 I.D.
7700081	010-051-00	9-10KGD UNITIZED OIL SEAL	1	3.880 O.D.	2.875 I.D.
7800054	25520	BEARING CUP (RACE)	1	3.265 O.D.	
7800052	382A	BEARING CUP (RACE)	1	2.810 O.D.	



BEARINGS • CONE					CUP (RACE)		
ITEM NO.	ID NO.	I.D.	DESCRIPTION	ITEM NO.	ID NO.	O.D.	
7800015	09067	0.750	#4 HAYES	-	09194	1.938	
7800001	1779	0.938	OUTER FOR 22834 HUB	7800051	1729	2.240	
7800013	2788	1.500	INNER FOR 22834 HUB	7800050	2729	3.000	
7800007	L44643	1.000	INNER & OUTER FOR BT8	7800046	L44610	1.980	
7800010	L44649	1.063	INNER & OUTER FOR #9 DX	7800046	L44610	1.980	
7800027	15123	1.125	OUTER FOR #42, 8-213-09, 8-201-09 & 8-174-05	7800055	15245	2.441	
7800017	14125A	1.125	OUTER FOR #42, 8-231-09, 8-219-04 & 8-218-04	7800056	14276	2.717	
7800028	02475	1.250	OUTER FOR #42, 8-231-08, 8-218-09 & 8-181-07	7800057	02420	2.688	
7800043	LM67048	1.250	OUTER FOR #42, 8-201-05 & 8-213-05	7800045	LM67010	2.328	
7800029	2585	1.313	OUTER FOR 8-232-05, 8K (9K PRE 10/89)	7800058	2520	2.750	
7800006	L68149	1.378	INNER FOR #84	7800041	L68111	2.362	
7800026	25580	1.750	INNER #42 5.2-8K; OUTER 9K (POST 10/89); 10K GD & #99	7800054	25520	3.265	
7800014	28580	2.000	INNER FOR ALL #99	7800048	28521	3.265	
7800025	28682	2.250	OUTER FOR DX 12-15K	7800053	28622	3.844	
7800024	387A	2.250	INNER FOR 9K (POST 10/89), 10K GD, OUTER FOR 10K HD	7800052	382A	2.810	
7800003	JM511946	2.559	INNER FOR HAYES 10K #090814	7800039	JM511910	4.331	
7800009	JM205149	1.969	OUTER FOR HAYES 10K #090814	7800044	JM205110	3.543	
7800004	3984	2.625	INNER FOR 12-15K	7800042	3920	4.438	
7800084	39590	2.625	INNER FOR RA 12-16K	7800086	39520	4.438	
7800030	HM212049	2.625	OUTER FOR DX 20-25K	7800075	HM212011	4.813	
7800031	HM218248	3.542	INNER FOR DX 20-25K	7800074	MH218210	5.786	
7800040	395S	4.331	INNER FOR 10K HD	7800005	394A	4.331	
7800012	LM48548	1.375	INNER FOR AH25555F AG HUB	7800049	LM48510	2.563	
7800008	LM11949	0.750	OUTER FOR AH15450E AG HUB	7800089	LM11910	1.781	
7800081	LM603049	1.781	INNER FOR AH45880FC AG HUB	7800080	LM603011	3.063	
7800043	LM67048	1.250	OUTER FOR AH45880FC AG HUB	7800045	LM67010	2.328	
7800079	LM501310	2.891	INNER FOR AH60880FC AG HUB	7800082	JLM506810	3.543	
7800083	JLM506849	2.165	OUTER FOR AH60880FC AG HUB	7800078	LM501349	1.625	
7800063	31-72-3	35MM	NER-R-LUBE CARTRIDGE 3.5K 655	-	-	-	
7800065	31-73-3	42MM	NEV-R-LUBE CARTRIDGE 5.2-6K 655	-	-	-	
7800067	31-71-3	50MM	NEV-R-LUBE CARTRIDGE 6-8K 865	-	-	-	
7800006	L68149	1.378	INNER FOR #84	7800076	L68110	2.328	

RACE ID NO.
LOCATION

BEARING ID NO.
LOCATION

NEV-R-LUBE
CARTRIDGE



BEARING PROTECTORS & GREASE CAPS

BEARING PROTECTORS

ITEM NO.	ID NO.	DESCRIPTION	TYPICAL USE
7700278	1781	BEARING BUDDY CHROME BEARING PROTECTOR 1.781" WITH BRA (PAIR)	1K-2.2K
7700121	1980	BEARING BUDDY CHROME BEARING PROTECTOR 1.980" WITH BRA (PAIR)	2.2K-3.5K
7700210	2328	BEARING BUDDY CHROME BEARING PROTECTOR 2.328" WITH BRA (PAIR)	3.5K-5.2K
7700004	2441	BEARING BUDDY CHROME BEARING PROTECTOR 2.441" WITH BRA (PAIR)	4.4K-5.2K 6-BOLT
7700005	2717	BEARING BUDDY CHROME BEARING PROTECTOR 2.717" WITH BRA (PAIR)	5.2K-7K 8-BOLT
7700239	70019	REPLACEMENT VINYL BRA (PAIR)	FITS 1.781"-1.980" PROTECTORS
7700214	70023	REPLACEMENT VINYL BRA (PAIR)	FITS 2.328"-2.717" PROTECTORS



HUB GREASE CAPS • PACKAGED

ITEM NO.	ID NO.	DESCRIPTION	TYPICAL USE	FITS
7700024-01	K71-314-00	GREASE CAP DRIVE-IN STANDARD CLOSED CAP KIT (2-EA CAPS)	2K-3.5K	1.986
7700025-01	K71-315-00	GREASE CAP DRIVE-IN STANDARD EZ-LUBE CAP KIT (2-EA CAPS & PLUGS)	2K-3.5K	1.986
7700027-01	K71-316-00	GREASE CAP DRIVE-IN STANDARD CLOSED CAP KIT (2-EA CAPS)	4.4K-5.2K	2.450
7700016-01	K71-317-00	GREASE CAP DRIVE-IN STANDARD EZ-LUBE CAP KIT (2-EA CAPS & PLUGS)	4.4K-5.2K	2.450
7700020-01	K71-318-00	GREASE CAP DRIVE-IN STANDARD CLOSED CAP KIT (2-EA CAPS)	5.2K-7K	2.720
7700018-01	K71-319-00	GREASE CAP DRIVE-IN STANDARD EZ-LUBE CAP KIT (2-EA CAPS & PLUGS)	5.2K-7K	2.720
7700053-01	K71-320-00	EZ-LUBE® GREASE CAP PLUG KIT DEXTER OEM REPLACEMENT (2-EA PLUGS)	EZ-LUBE® CAP	ALL



TYPICAL CLOSED CAP



TYPICAL AGRICULTURAL CAP



HUB GREASE CAPS • BULK

ITEM NO.	ID NO.	DESCRIPTION	TYPICAL USE	FITS
7700024	021-003-00	GREASE CAP DRIVE-IN STANDARD CLOSED CAP	2K-3.5K	1.986
7700025	021-041-01	GREASE CAP DRIVE-IN STANDARD EZ-LUBE CAP	2K-3.5K	1.986
7700027	021-001-00	GREASE CAP DRIVE-IN STANDARD CLOSED CAP	4.4K-5.2K	2.450
7700016	021-042-01	GREASE CAP DRIVE-IN STANDARD EZ-LUBE CAP	4.4K-5.2K	2.450
7700020	021-039-00	GREASE CAP DRIVE-IN STANDARD CLOSED CAP	5.2K-7K	2.720
7700018	021-043-01	GREASE CAP DRIVE-IN STANDARD EZ-LUBE CAP	5.2K-7K	2.720
7700053	085-001-00	EZ-LUBE CAP PLUG	EZ-LUBE® CAP	ALL

HUB GREASE CAPS • BULK • CHROME

ITEM NO.	ID NO.	DESCRIPTION	TYPICAL USE	FITS
7700026	021-041-02	GREASE CAP DRIVE-IN STANDARD EZ-LUBE CAP	2K-3.5K	1.986
7700019	021-043-02	GREASE CAP DRIVE-IN STANDARD EZ-LUBE CAP	5.2K-7K	2.720

HUB GREASE CAPS • BULK • AGRICULTURAL HUBS

ITEM NO.	ID NO.	DESCRIPTION	TYPICAL USE	FITS
7700270	1527	GREASE CAP DRIVE-IN AGRICULTURAL HUB	1.2K AG HUB	1.957
7700275	1604	GREASE CAP DRIVE-IN AGRICULTURAL HUB	2.5K-4.5K AG HUB	2.440
7700280	1609	GREASE CAP DRIVE-IN AGRICULTURAL HUB	6K AG HUB	3.125
7700200	1602	GREASE CAP DRIVE-IN AGRICULTURAL HUB	7K-8K AG HUB	3.250

HUB GREASE CAPS • BULK • NEV-R-LUBE® HUBS

ITEM NO.	ID NO.	DESCRIPTION	TYPICAL USE	FITS
7700130	021-085-00	NEV-R-LUBE® CAP DRIVE-IN	1.2K AG HUB	3.125
7700132	021-086-00	NEV-R-LUBE® CAP DRIVE-IN	2.5K-4.5K AG HUB	3.355

HUB GREASE CAPS • BULK • OTHER GREASE CAPS

ITEM NO.	ID NO.	DESCRIPTION	TYPICAL USE	FITS
7700186	290-017	GREASE CAP DRIVE-IN CLOSED CAP NEW STYLE	5.2K-7K	2.720
7700021	568124	GREASE CAP DRIVE-IN BELSHE / ALKO-HAYES	#89 SPINDLE	3.355
7700022	092105	GREASE CAP DRIVE-IN ALKO-HAYES	10K-12K	3.625

OIL BATH CAPS =

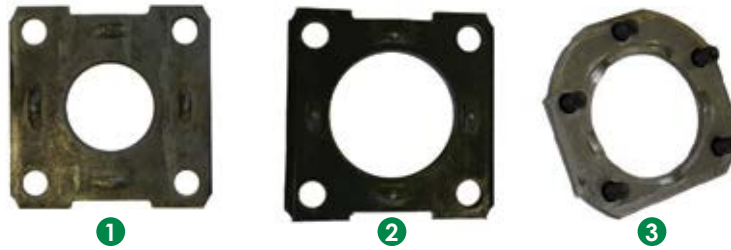


KITS				
ITEM NO.	ID NO.	DESCRIPTION	TYPICAL USE	
7700029-01	K71-038-00	DEXTER SCREW-ON OIL CAP KIT WITH O-RING, PLUG & GASKET (2-EACH)	6K-8K AND 9K (PRE OCT 1989)	
7700030-01	K71-148-00	DEXTER SCREW-ON OIL CAP KIT WITH O-RING, PLUG & GASKET (2-EACH)	9K (POST OCT 1989 / PRE AUG 2009)	
7700030-01	K71-148-00	DEXTER SCREW-ON OIL CAP KIT WITH O-RING, PLUG & GASKET (2-EACH)	10KGD (PRE AUG 2009) - 15KHD	
7700215-01	K71-704-00	DEXTER SCREW-ON OIL CAP KIT WITH O-RING, PLUG & GASKET (2-EACH)	9K-10K GENERAL DUTY (POST AUG 2009)	
7700028	K71-845-00	ALKO SCREW-ON OIL CAP KIT WITH O-RING & PLUG (1-EACH)	7K-8K	
7700023	K71-859-00	ALKO SCREW-ON OIL CAP KIT WITH O-RING & PLUG (1-EACH)	10K-12K	
7700183	940-4009	22.5K-27.5K BOLT-ON OIL CAP KIT INCLUDING SEAL, BOLTS AND WASHERS	DEXTER D200 PER SIDE	

BULK				
ITEM NO.	ID NO.	DESCRIPTION	TYPICAL USE	
7700029	021-035-00	DEXTER SCREW-ON OIL CAP	6K-8K AND 9K (PRE OCT 1989)	
7700030	021-036-00	DEXTER SCREW-ON OIL CAP	9K (POST OCT 1989 / PRE AUG 2009)	
7700215	021-088-00	DEXTER SCREW-ON OIL CAP	9K-10KGD (POST AUG 2009)	
7700178	021-038-02	DEXTER BOLT-ON OIL CAP WITH VENTPLUG	22.5K-27.5K PER SIDE	
7700055	010-045-00	DEXTER OIL CAP O-RING	FOR 7700029 OIL CAP	
7700054	010-050-00	DEXTER OIL CAP O-RING	FOR 7700030 OIL CAP	
7700216	010-163-00	DEXTER OIL CAP O-RING	FOR 7700215 OIL CAP	
7700035	071-124-00	DEXTER GASKET FOR BOLT-ON OIL CAP WITH VENTPLUG	DEXTER D200 PER SIDE	
7700052	046-032-00	DEXTER OIL CAP PLUG	DEXTER 8K - 15KHD	
7700051	046-052-00	DEXTER OIL CAP PLUG FOR OIL FILL HOLE	8K-15KHD	
7700122	568298	AL-KO GASKET FOR OIL CAP	8K OIL CAP	
7700169	568297	AL-KO GASKET FOR OIL CAP	10KGD - 16K	
7700057	568223	AL-KO PLUG FOR OIL CAP	7K-16K	
7700207	010-059-00	DEXTER UTG O-RING	6K-7K	
7700263	021-040-00	DEXTER UTG OIL CAP	6K-7K	



BRAKE FLANGE & MOUNTING HARDWARE



BRAKE MOUNTING FLANGES								
REF NO.	ITEM NO.	ID NO.	DESCRIPTION	FLANGE TYPE	AXLE TYPE	HOLES	BOLT CENTERS	PILOT
1	6450033	004-034-00	BRAKE FLANGE 7" 2K BTR	K	1.75" ROUND	4-HOLE	4.00"	1.64"
2	6450034	004-035-00	BRAKE FLANGE 10" 3.5K	K	2.375" ROUND	4-HOLE	4.00"	2.27"
3	6450029	004-044-01	BRAKE FLANGE 12" 5.2K - 7K	B	3" ROUND	5-HOLE	3.88"	2.75"



BRAKE MOUNTING HARDWARE				
REF NO.	ITEM NO.	ID NO.	DESCRIPTION	USED FOR
1	6450241	007-041-00	7/16"-20 X 0.89" GRADE 5 PRESS-IN BRAKE MOUNTING BOLT	2K - 3.5K
2	6450307	007-271-00	7/16"-20 X 1.18" GRADE 5 PRESS-IN BRAKE MOUNTING BOLT	4.4K
3	6450020	007-116-00	7/16"-20 X 1.75" GRADE 5 BRAKE MOUNTING BOLT	9K - 15K
4	7030116	005-008-00	7/16" BRAKE MOUNTING LOCK WASHER ZINC PLATED	2K - 15K
5	6450181	006-017-00	7/16"-20 GRADE 2 BRAKE MOUNTING HEX NUT ZINC	2K - 15K
6	6450177	006-092-01	7/16"-20 GRADE G LOCK FLANGE NUT	2K - 15K
7	6450240	007-112-00	3/8"-24 X 0.88" GRADE 5 PRESS-IN BRAKE MOUNTING BOLT	5.2K - 7K
8	9000250	33621	3/8" BRAKE MOUNTING LOCK WASHER ZINC	5.2K - 7K
9	6450182	006-010-00	3/8"-24 GRADE 2 BRAKE MOUNTING HEX NUT ZINC	5.2K - 7K
10	6450308	006-193-00	3/8"-24 GRADE B BRAKE MOUNTING HEX NUT	5.2K - 7K
11	6450019	007-097-00	1/2"-20 X 1.75" GRADE 5 BRAKE MOUNTING BOLT	7.2K - 9K
12	7700011	007-245-00	1/2"-13 X 1.5" GRADE 8 BRAKE DRUM MOUNTING BOLT	9K - 10KGD
13	7700010	007-244-00	1/2"-13 X 1.75" GRADE 8 BRAKE DRUM MOUNTING BOLT	10KHD - 15K
14	9000137	006-046-00	1/2"-20 GRADE B BRAKE MOUNTING HEX NUT	7.2K - 9K
15	9000251	005-058-00	1/2" BRAKE MOUNTING LOCK WASHER ZINC	7.2K - 9K
16	6450242	025-014-00	1/2" X 2.53" FINE TO COARSE THREAD ROTOR MOUNTING STUD #13G (PRE-7/09)	10K